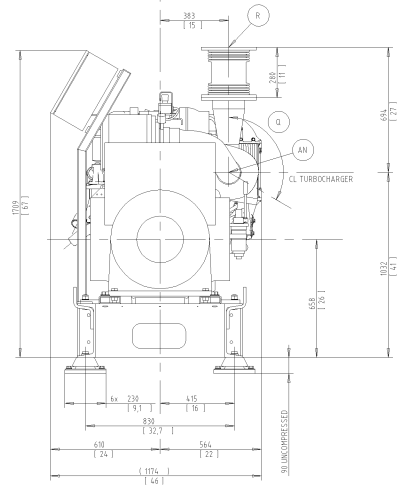
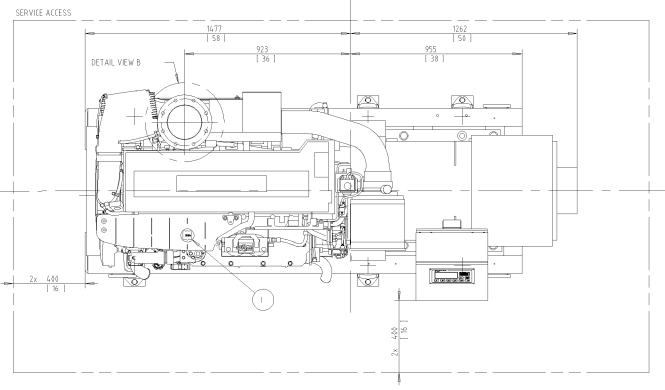


REAR END OF FLYWHEEL HOUSING



- (A) FUEL CONNECTION INLET 1/4-18 NPTF
- (B) FUEL CONNECTION OUTLET 1/4-18 NPTF
- (C) FUEL PRIMER PUMP
- (D) TWIN FUEL FILTER, SHIFTABLE
- (E) MIL FILLER
- (F) MIL DIPSTICK
- (G) OIL FILTERSx2, (OPTIONAL WITH SHIFT VALVE)
- (H) OIL FILTER BYPASS
- (I) HT WATER FILLER
- (J) HT WATER DRAIN POINTx2 1/8-27 NPTF
- (K) HT WATER DRAIN POINT TEMA 18418M3C
- (L) LT WATER INLET PUMP n 63 O.D PIPE
- (M) LT WATER OUTLET n 54 O.D PIPE
- (N) LT WATER DRAIN POINTx1 1/8-27 NPTF
- (O) AIR FILTER ENGINE
- (P) PRESSURE DROP INDICATOR, AIR FILTER
- (Q) TURNABLE EXHAUST BEND 120
- (R) FLEXIBLE COMPENSATOR EXHAUST SYSTEM n 7" (OPTIONAL)
- (S) LIFTING EYEx4 n 40MM
- (T) CONNECTION BATTERY POS. AND NEG. M12 SCREW
- (U) EMERGENCY STOP
- (V) CONNECTOR A
- (W) CONNECTOR B
- (X) WIF CONNECTOR
- (Y) CONNECTOR EXTERNAL STOP
- (Z) CAN 2
- (AA) CONNECTOR EASY LINK
- (AB) POWER CABLES CONNECTING L/R SIDE POSSIBLE
- (AC) AIR INLET LOUVRE GENERATOR
- (AD) AIR OUTLET LOUVRE GENERATOR
- (AE) CONTROL SYSTEM BOX
- (AF) CONNECTION AREA TO CONTROL SYSTEM BOX
- (AG) MCC DISPLAY
- (AH) MANUAL OIL DRAIN PUMP, 20mm ID HOSE (OPTIONAL)
- (AI) AIR STARTER MOTOR (OPTIONAL)
- (AJ) AIR STARTER CONNECTION, FERRULE FITTING n 28MM PIPE
- (AK) ENGINE HEATER 220V (OPTIONAL)
- (AL) ENGINE COOLANT SHUTDOWN SWITCH (OPTIONAL)
- (AN) ENGINE OILPRESSURE SHUTDOWN SWITCH (OPTIONAL)
- (CG) CENTRE OF GRAVITY

X, Y, Z, DIM FROM CRANKSHAFT CENTER AND REAR END OF FLYWHEEL HOUSING OF ENGINE

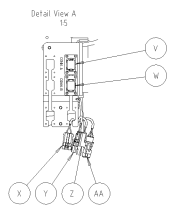
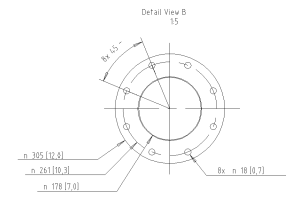
- (A) -X200 -Y370 +Z185
- (B) -X200 -Y380 +Z210

- (A)(B) CONNECTION FOR FUEL HOSE L=550mm HOSE END TO CUSTOMER INTERNAL M18x15 (DIN3863)

- (L) -X1125 +Y460 -Z60 (TURNABLE)
- (M) -X125 -Y520 -Z15 (TURNABLE)
- (R) -X925 +Y380 +Z1070
- (V) -X175 -Y240 +Z575
- (W) -X175 -Y240 +Z535
- (X)(Z)(AA) -X45 -Y370 +Z350

- (AL) -X960 +Y315 +Z490
- (AM) -X970 +Y420 +Z670

- (AN) -X745 +Y385 +Z380 (TURNABLE)
- (CG) -X110 +Y0 +Z75



SHIPYARD	HULL No

DRY WEIGHT 3070 KILOGRAM
 OIL CAPACITY AND COOLING WATER CAPACITY SEE DATA SHEET
 SCALE: 1:10

The drawing shall remain the property of the Supplier. It shall be used only for the production of the equipment. It shall not be reproduced, copied, or transmitted in any form or by any means, electronic or mechanical, including photocopying, recording, or by any information storage and retrieval system, without the prior written permission of the Supplier.	SYMBOLS, DIMENSIONS AND GENERAL INFORMATION ENGINE INSTALLATION DIVISION HEM34F AIR/EL STARTER	
	INSTALLATION DRAWING G Drawing Code 21683429	

VOLVO PENTA