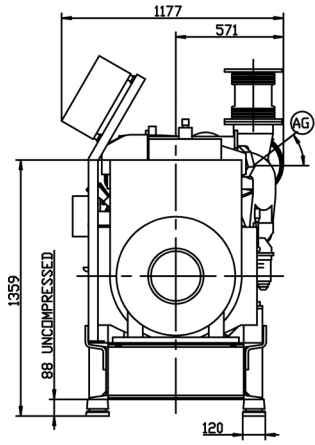
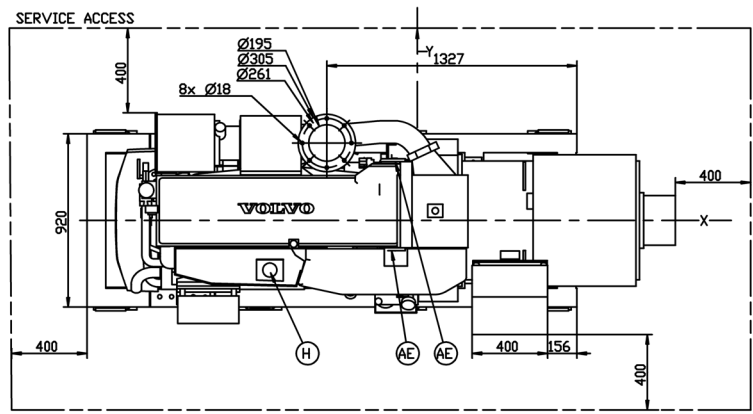


REAR END OF FLYWHEEL HOUSING



- (A) FUEL HOSE INLET
- (B) FUEL HOSE OUTLET
- (C) FLEXIBLE COMPENSATOR EXHAUST SYSTEM 7"
- (D) FLEXIBLE MOUNTS INCLUDING WELD PLATE T=20mm
- (E) OIL DIPSTICK
- (F) MANUAL OIL DRAIN PUMP, 20mm I.D HOSE
- (G) OIL FILLER ENGINE
- (H) FRESH WATER FILLER
- (I) FRESH WATER DRAIN POINT (6x)
- (J) OIL FILTERS, (OPTIONAL WITH SHIFT VALVE)
- (K) BYPASS OIL FILTER
- (L) FUEL FILTER
- (M) CONNECTION BACKUP BATTERY POS. AND NEG.
- (N) ENGINE CONNECTION BOX
- (O) CONNECTION BATTERY POS. AND NEG.
- (P) AIR FILTER ENGINE
- (Q) LIFTING EYE Ø40, 4x (COMPLETE GENSET)
- (R) CONNECTION FROM ENGINE HEATER
- (S) CONNECTION TO ENGINE HEATER
- (T) CONNECTION FOR CRANKCASE VENTILATION 25mm I.D HOSE
- (U) AIR INLET LOUVRE GENERATOR
- (V) AIR OUTLET LOUVRE GENERATOR
- (X) CONNECTION BOX FOR HEATING IN GENERATOR (220V)
- (Z) WATER INLET, FOR 63mm I.D HOSE
- (AA) WATER OUTLET, FOR 57mm I.D HOSE
- (AB) AUXILIARY STOP
- (AC) POWER CABLES CONNECTING L,R SIDE POSSIBLE
- (AD) CONNECTION AREA TO CONTROL SYSTEM BOX
- (AE) ONLY FOR ENGINE LIFTING
- (AF) DISPLAY
- (AG) TURNABLE EXHAUST BEND
- (AH) CONTROL SYSTEM BOX
- (Cog) CENTRE OF GRAVITY

X, Y, Z, DIM FROM CRANKSHAFT CENTER AND REAR END OF FLYWHEEL HOUSING OF ENGINE

- (A) -X488 -Y286 -Z100
- (B) -X447 -Y227 -Z123
- (A) (B) CONNECTION FOR FUEL HOSE L=230mm HOSE END TO CUSTOMER INTERNAL M18x1.5 (DIN 3863)
- (T) -X642 -Y121 +Z795
- (Cog) -X160 -Y10 +Z79
- (Z) -X319 -Y364 +Z38
- (AA) -X1450 -Y361 +Z165
- (AD) +X489 -Y413 +Z712 STANDARD
- (AD) +X489 +Y413 +Z712 OPTIONAL

DRY WEIGHT 3636 KILOGRAM  
 OIL CAPACITY AND COOLING WATER CAPACITY SEE DATA SHEET

SCALE: 1:10 A0

SHIPYARD	HULL No

	ENGINE INSTALLATION D16 MG HE / HCMS34D-1
	INSTALLATION DRAWING
3591740	03