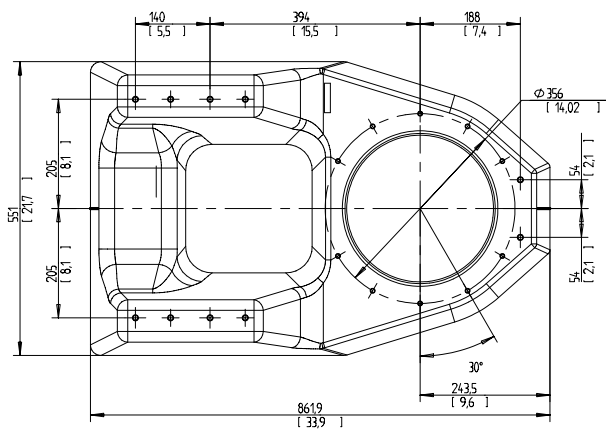
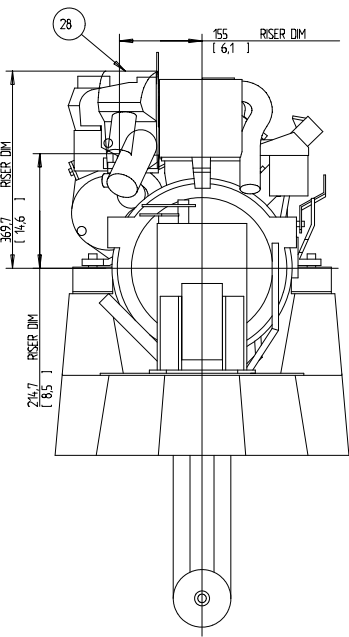
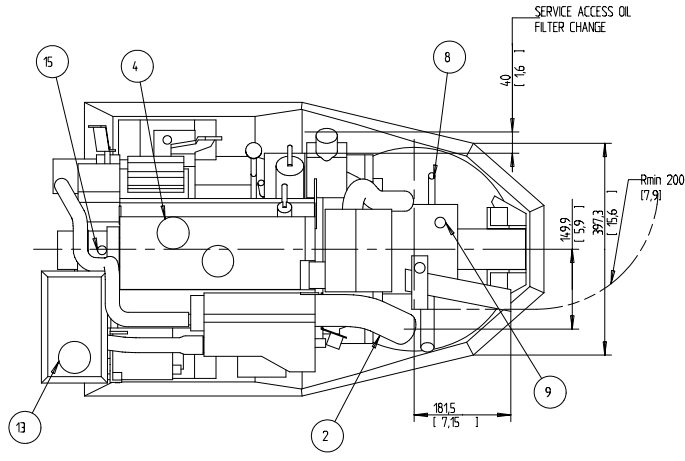
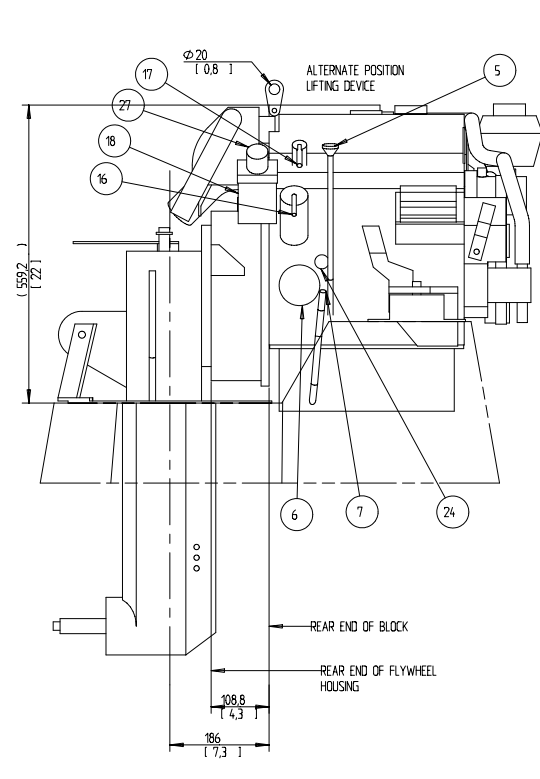
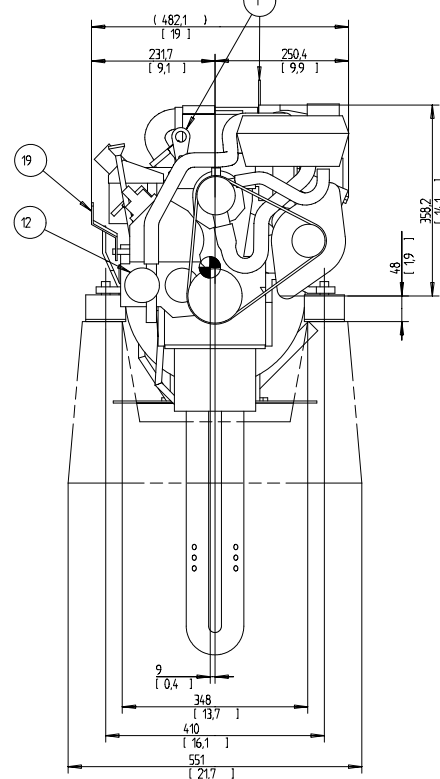
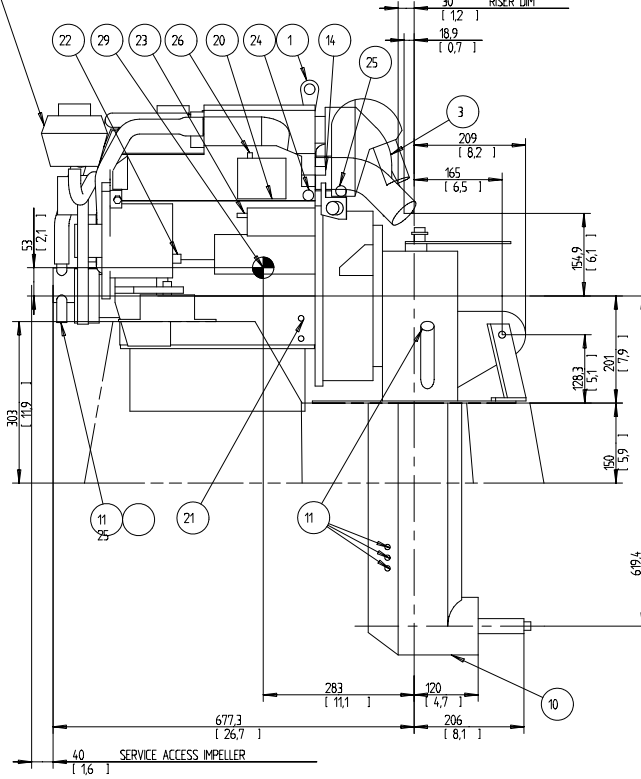


EXPANSION TANK CAN BE BULK HEAD MOUNTED THEN USE HOSE Ø75 943366 AND Ø16 952969



Customer Name	Order number	P/A	Revision
Drawn	Checked	Date	Released

SCALE 1:5
 OIL CAPACITY INCLUDING OIL FILTER: 5.7 LITERS
 FRESHWATER SYSTEM CAPACITY: 6.4 LITERS
 WEIGHTS:
 DRY 175 kg
 OIL & WATER 183 kg
 DIMENSION IN MILLIMETRES AND (INCHES)

NR	ITEM
1	LIFTING DEVICE
2	EXHAUST ELBOW FOR HOSE ID 45(175)
3	AIR FILTER (SILENCER)
4	OIL FILLING
5	OIL DIPSTICK ENGINE
6	OIL FILTER
7	OIL DRAIN (WITH PUMP) ENGINE ID 8 (10.35)
8	OIL DIPSTICK REVERSE GEAR
9	OIL FILLER CAP REVERSE GEAR
10	OIL DRAIN REVERSE GEAR
11	SEA WATER INLET FOR HOSE ID 19(0.75)
12	SEA WATER PUMP
13	WATER FILLER CAP FRESH WATER
14	HOT WATER OUTLET
15	HOT WATER INLET
16	FUEL CONNECTION FOR HOSE ID 10 (13/8)
17	FUEL RETURN CONNECTION FOR HOSE ID 10 (13/8)
18	FUEL FILTER
19	SPEED CONTROL LEVER
20	CONNECTION BOX FOR EXTENSION CABLE
21	BATTERY MINUS (-) CONNECTION
22	PLUS (+) CONNECTION FOR CHARGING DISTRIBUTOR
23	STARTER BATTERY PLUS (+) CONNECTION
24	WATER DRAIN FRESH WATER
25	WATER DRAIN SEAWATER
26	AUTOMATIC FUSE RESET
27	HAND PRIMER PUMP
28	RISER (OPTIONAL)
29	CENTRE OF GRAVITY

© VOLVO PENTA AB. ALL RIGHTS RESERVED. DRAWING NO. D2-40/1305

The copying, alteration and utilization of this document as well as the construction of its contents is strictly prohibited for anyone without the express written permission of the Volvo Penta AB. Any reuse or unauthorised distribution is prohibited.

VOLVO PENTA

Document No: D2-40/1305
 Dimension Drawing
 Part: D2-40/1305

Document No: 3591395
 Part No: 101
 Scale: 1:5