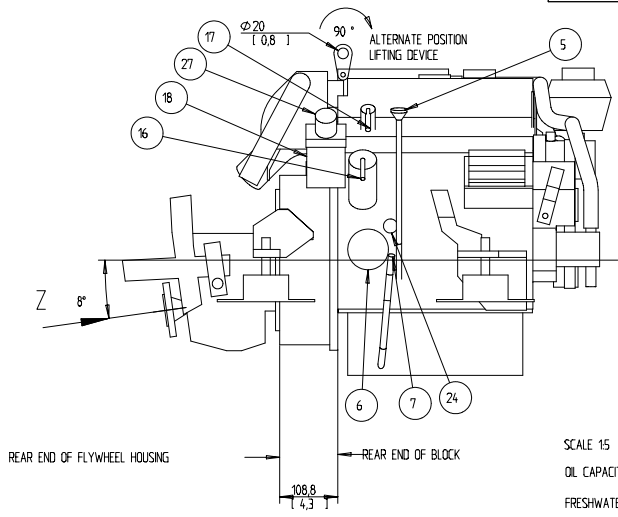
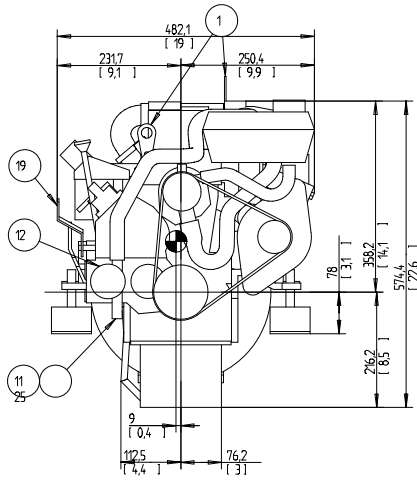
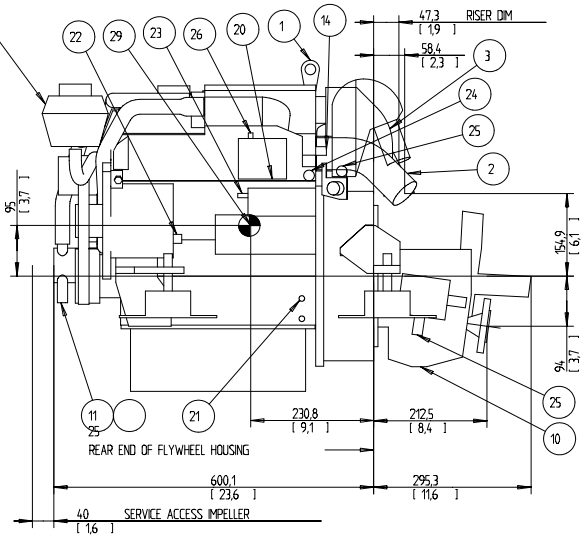


EXPANSION TANK CAN BE BULK HEAD MOUNTED  
THEN USE HOSE Ø75 943366 AND Ø16 952969

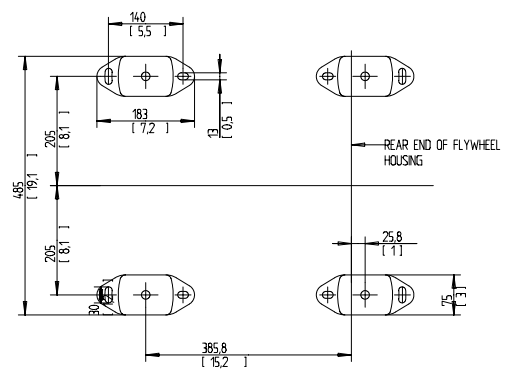
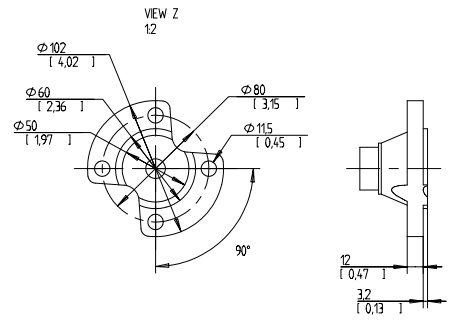
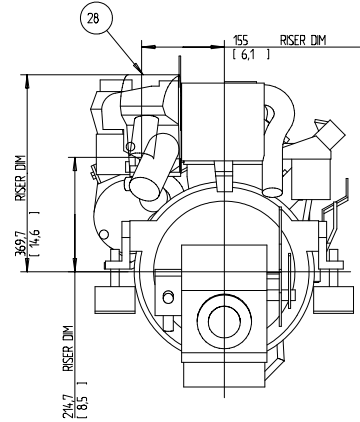
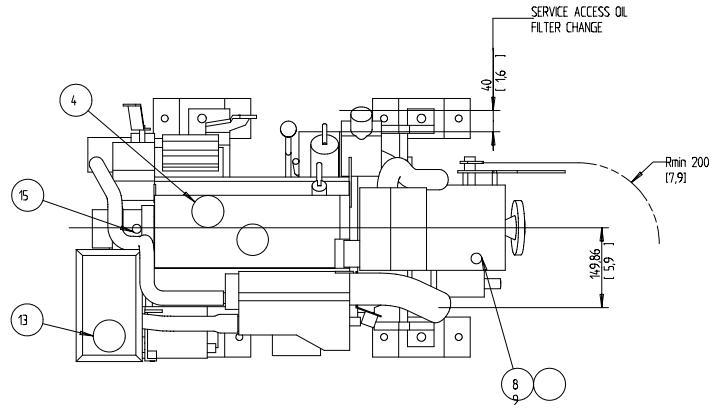
Customer Name M&P	Order description P/A	Drawing No. D 1.3.0301	Released RELEASED
Location ADDRESS COUNTRY	Material Code	Date	Revision code



SCALE 1:5  
OIL CAPACITY INCLUDING OIL FILTER: 5.7 LITERS  
FRESHWATER SYSTEM CAPACITY: 6.4 LITERS  
WEIGHTS:  
DRY 161 kg  
OIL & WATER 169 kg

DIMENSION IN MILLIMETRES AND (INCHES)

NR	ITEM
1	LIFTING DEVICE
2	EXHAUST ELBOW FOR HOSE ID 45(175)
3	AIR FILTER (SILENCER)
4	OIL FILLING
5	OIL DIPSTICK ENGINE
6	OIL FILTER
7	OIL DRAIN (WITH PUMP) ENGINE ID 8 (10.35)
8	OIL DIPSTICK REVERSE GEAR
9	OIL FILLER CAP REVERSE GEAR
10	OIL DRAIN REVERSE GEAR
11	SEAWATER INLET FOR HOSE ID 190(75)
12	SEA WATER PUMP
13	WATER FILLER CAP FRESH WATER
14	HOTWATER OUTLET
15	HOTWATER INLET
16	FUEL CONNECTION FOR HOSE ID 10 (13/8)
17	FUEL RETURN CONNECTION FOR HOSE ID 10 (13/8)
18	FUEL FILTER
19	SPEED CONTROL LEVER
20	CONNECTION BOX FOR EXTENSION CABLE
21	BATTERY MINUS (-) CONNECTION
22	PLUS (+) CONNECTION FOR CHARGING DISTRIBUTOR
23	STARTER BATTERY PLUS (+) CONNECTION
24	WATER DRAIN FRESH WATER
25	WATER DRAIN SEAWATER
26	AUTOMATIC FUSE RESET
27	HAND PRIMER PUMP
28	RISER (OPTIONAL)
29	CENTRE OF GRAVITY



© VOLVO DIESELMOTOR AND GENERAL DRAWING METHODS STD 90-5600 AND STD 922560

The copy, alteration and utilization of this document as well as the reproduction of its contents is strictly prohibited without the written permission of Volvo Penta. All rights reserved. For more information, please contact Volvo Penta or its authorized dealer representative.

ENGINE DIMENSIONS  
D2-40/MS15A

Document type  
DIMENSION DRAWING

Document No.  
3591394

Sheet No.  
101

Scale  
1:5

Size  
A1

