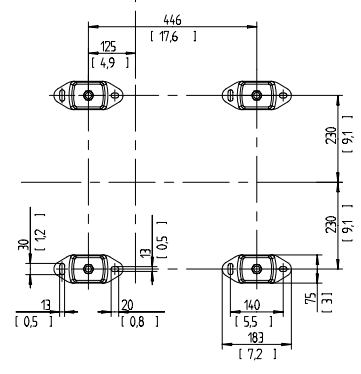
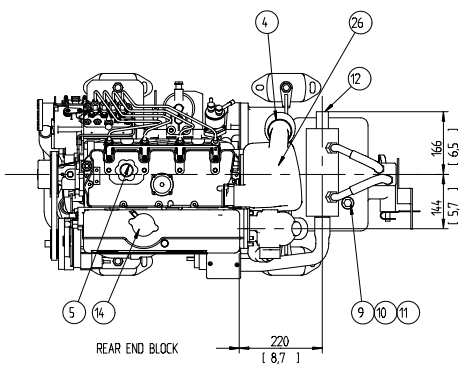
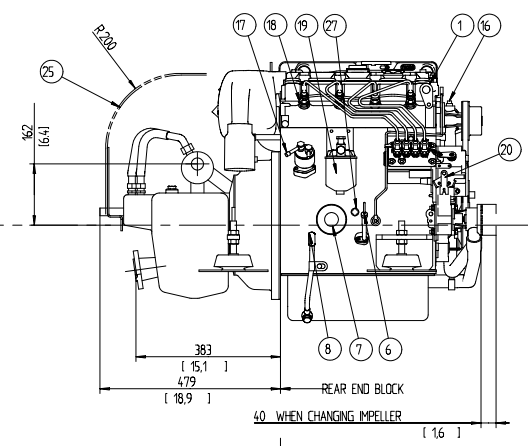
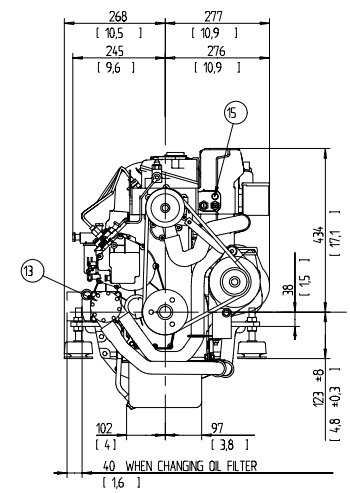
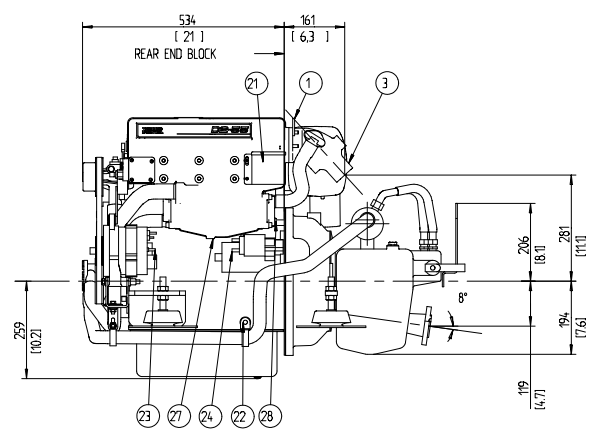
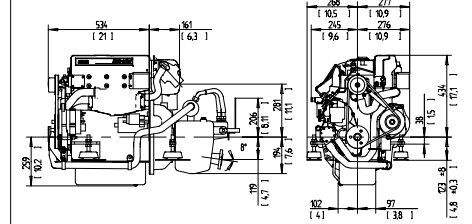


110



- ① LIFTING DEVICE
- ③ EXHAUST ELBOW FOR HOSE ID 57
- ④ AIR FILTER
- ⑤ OIL FILLING
- ⑥ OIL DIPSTICK ENGINE
- ⑦ OIL FILTER
- ⑧ OIL DRAIN FOR PUMP, ENGINE
- ⑨ OIL DIPSTICK REVERSE GEAR
- ⑩ OIL FILLER CAP REVERSE GEAR
- ⑪ OIL DRAIN FOR PUMP, REVERSE GEAR
- ⑫ WATER INLET FOR HOSE ID 32
- ⑬ SEA WATER PUMP
- ⑭ WATER FILLER CAP FRESH WATER
- ⑮ HEAT WATER OUTLET
- ⑯ HEAT WATER INLET
- ⑰ FUEL CONNECTION FOR HOSE ID 9
- ⑱ FUEL RETURN CONNECTION FOR HOSE ID 9
- ⑲ FUEL FILTER
- ⑳ SPEED CONTROL LEVER
- ㉑ CONNECTION BOX FOR EXTENSION CABLE
- ㉒ BATTERY MINUS (-) CONNECTION
- ㉓ PLUS (+) CONNECTION FOR CHARGING DISTRIBUTOR
- ㉔ STARTER BATTERY PLUS (+) CONNECTION
- ㉕ CONTROL CABLE
- ㉖ AIR INLET SILENCER
- ㉗ WATER DRAIN, FRESH WATER
- ㉘ WATER DRAIN, SEA WATER