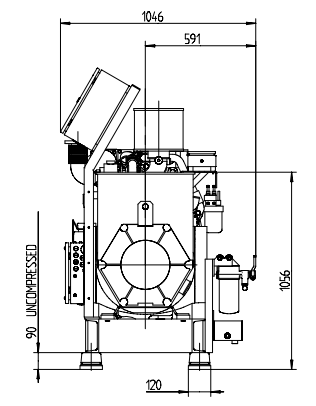
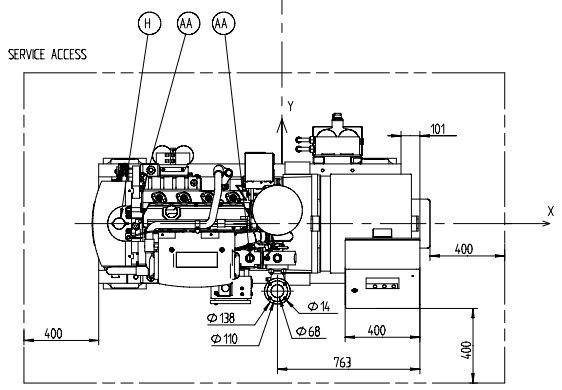


- (A) FUEL CONNECTION INLET
- (B) FUEL CONNECTION OUTLET
- (C) FLEXIBLE COMPENSATOR EXHAUST SYSTEM 7"
- (D) FLEXIBLE MOUNTS, INCLUDING WELD PLATE T=20mm
- (E) OIL DIPSTICK
- (F) MANUAL OIL DRAIN PUMP, 20mm I.D. HOSE
- (G) OIL FILLER ENGINE
- (H) FRESH WATER FILLER
- (I) FRESH WATER DRAIN POINT (3x)
- (J) OIL FILTER
- (K) FUEL FILTER
- (L) ENGINE CONNECTION BOX
- (M) CONNECTION BATTERY POS. AND NEG.
- (N) AIR FILTER ENGINE
- (D) LIFTING EYE $\phi 38$ (COMPLETE GENSET)
- (P) CONNECTION FROM ENGINE HEATER
- (Q) CONNECTION TO ENGINE HEATER
- (R) AIR INLET LOUVRE GENERATOR
- (S) AIR OUTLET LOUVRE GENERATOR
- (T) WATER DRAIN POINT (3x)
- (U) WATER INLET, FOR $\phi 38$ mm I.D. HOSE
- (V) WATER OUTLET, FOR $\phi 38$ mm I.D. HOSE
- (X) EMERGENCY STOP
- (Y) POWER CABLES CONNECTION LR SIDE POSSIBLE
- (Z) CONNECTION AREA TO CONTROL SYSTEM BOX
- (AA) ONLY FOR ENGINE LIFTING (2x)
- (AB) DISPLAY
- (AC) TURNABLE EXHAUST BEND / AIR FILTER
- (AD) CONTROL SYSTEM BOX
- (AE) CONNECTION BOX FOR HEATING IN GENERATOR (220V)
- (CG) CENTER OF GRAVITY



X,Y,Z DIM FROM CRANKSHAFT CENTER AND REAR END OF FLYWHEEL HOUSING OF ENGINE

ITEM	X	Y	Z	REMARK
A	-730	200	-15	
B	-200	200	355	
A & B	CONNECTION FOR FUEL HOSE L=350MM, INTERNAL A=M18x15 AND B=M18x15 (DIN 3863)			
CG	-80	-20	70	
U	-285	270	365	
V	-890	-290	370	
Z	550	-380	665	STANDARD
Z	285	380	665	OPTIONAL

DRY WEIGHT 1245 KILOGRAM
OIL CAPACITY AND COOLING WATER CAPACITY SEE DATA SHEET

SCALE 1:10 / A0

SHIPYARD	HULL No.

VOLVO PENTA

ENGINE INSTALLATION
D5A TA HE / UCH274D-1

INSTALLATION DRAWING

3521803

01