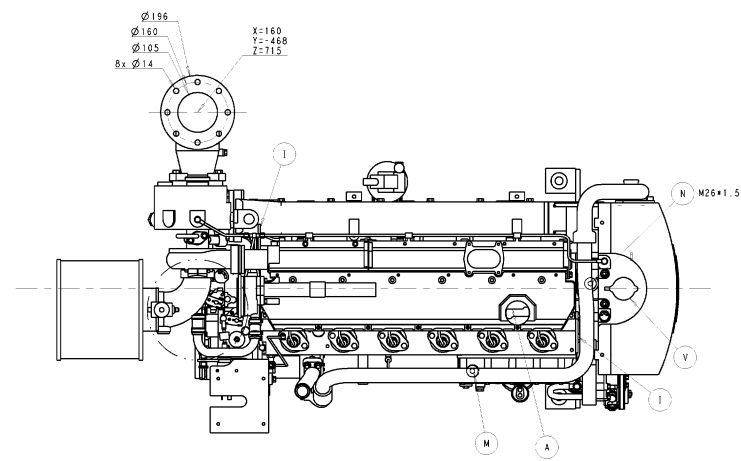
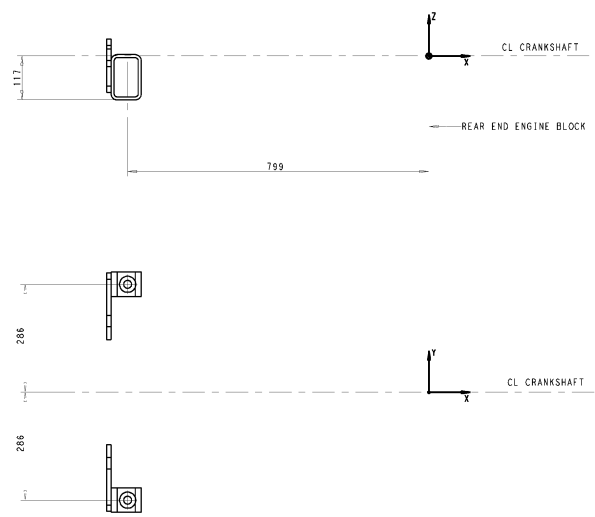


- A ENGINE OIL FILLER
- B DIP STICK, ENGINE
- C OIL FILTER
- D FUEL INLET FOR HOSE CONNECTION
- E FUEL FILTER
- F AIR FILTER
- G FUEL RETURN FOR HOSE CONNECTION
- H FRESH WATER DRAIN (2x)
- I LIFTING EYELITS (2x, ENGINE ONLY)
- J OIL DRAIN HOSE CONNECTION
- K EXHAUST ELBOW 90°
- L INDICATOR AIR FILTER
- M OUTLET PLUG FOR CABIN HEATER M26*1.5
MAX FLOW 18L/min,
MAX ΔT OVER HEATER: 30°C AT
MAX ENGINE POWER
- N INLET PLUG FOR CABIN HEATER
- O COOLING WATER INLET FOR HOSE CONNECTION
- S SEA WATER DRAIN (2x)
- U SEA WATER OUTLET FOR HOSE CONNECTION
- V PRESSURE CAP, COOLANT FILLING



● CENTRE OF GRAVITY X=375, Y=20, Z=175
 DRY MASS APPROX. 760 KG
 SCALE 1:5