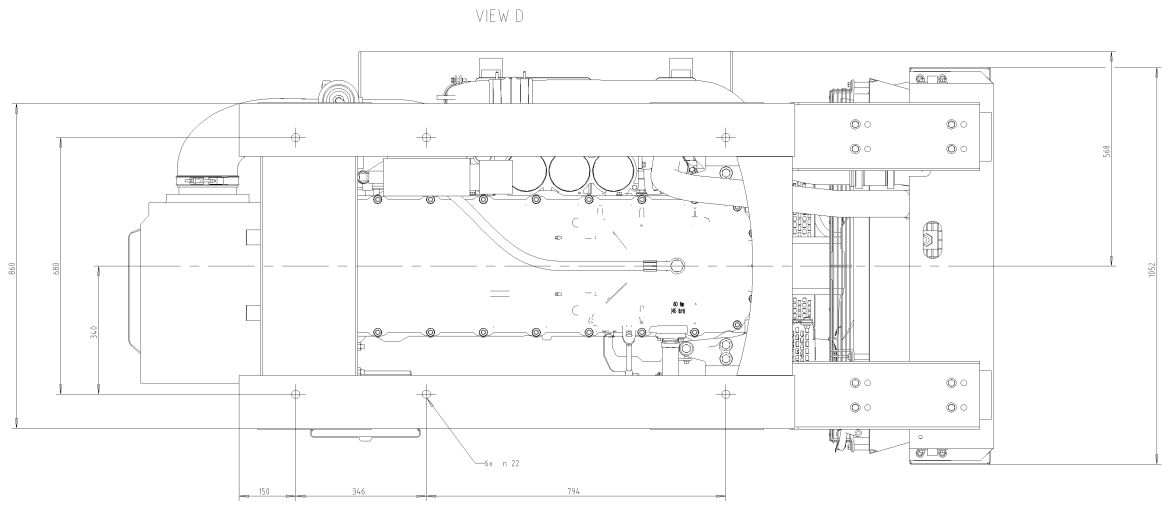
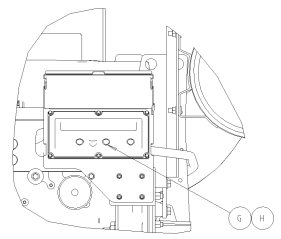
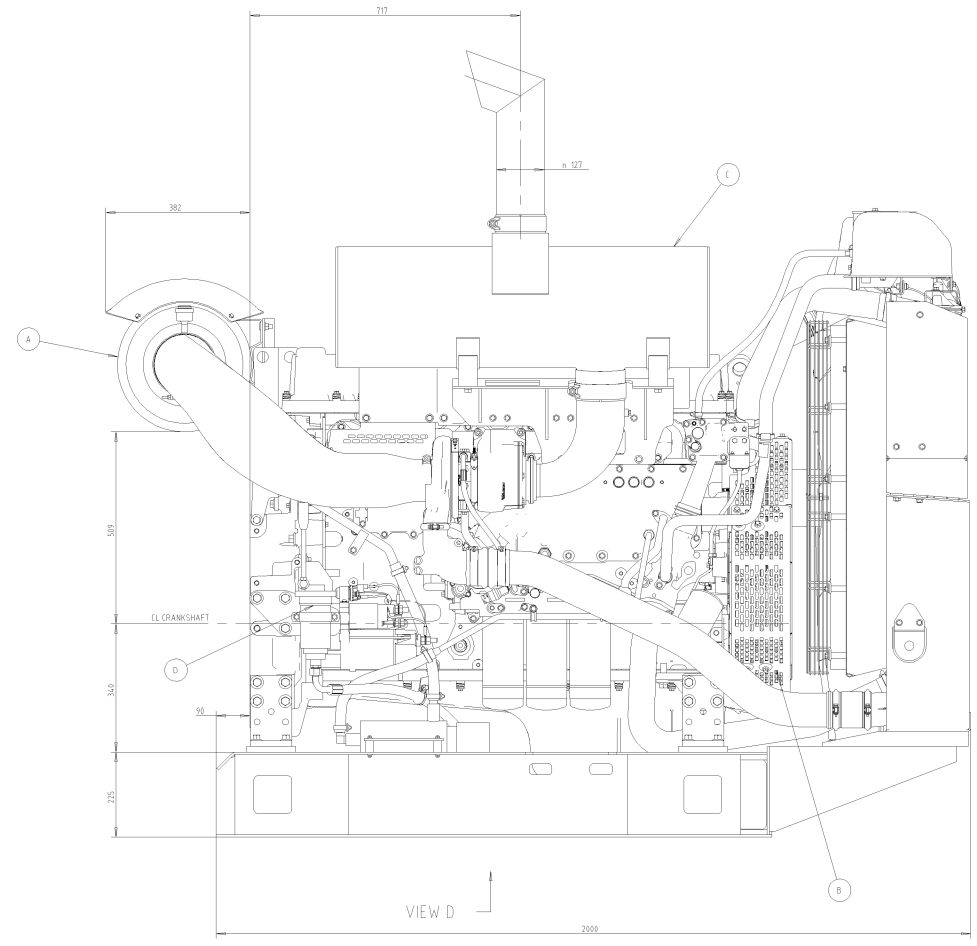
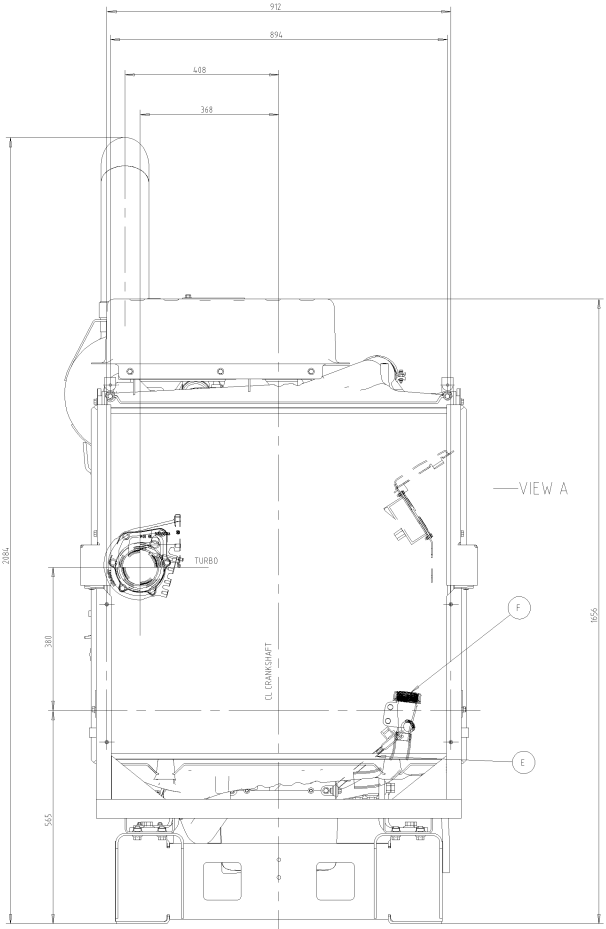


VIEW A



- A: AIR FILTER, REAR MOUNTED
- B: BELT GUARD
- C: CRANKER, ENGINE MOUNTED
- D: OIL DRAIN PUMP
- E: OIL DIP STICK
- F: OIL FILLER CAP
- G: INSTRUMENT PANEL
- H: SPEED CONTROL

SCALE: 1:5



<p>The design, fabrication and erection of this Project shall be the responsibility of the Contractor. The Contractor shall be responsible for the safety of all personnel and equipment on the site. The Contractor shall be responsible for the safety of all personnel and equipment on the site.</p>		<p>ENGINE INSTALLATION          TADIR-44-SAVE          POWER PAC</p>	
<p>ENGINE NO.          21234256</p>		<p>DATE          03</p>	
<p>SCALE          1:5</p>		<p>PROJECT NO.          1101</p>	

