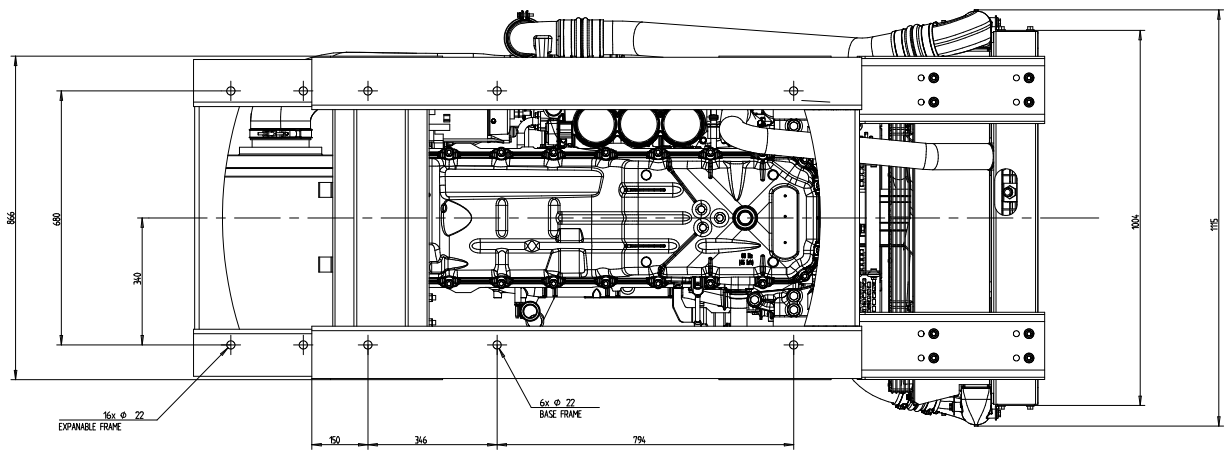
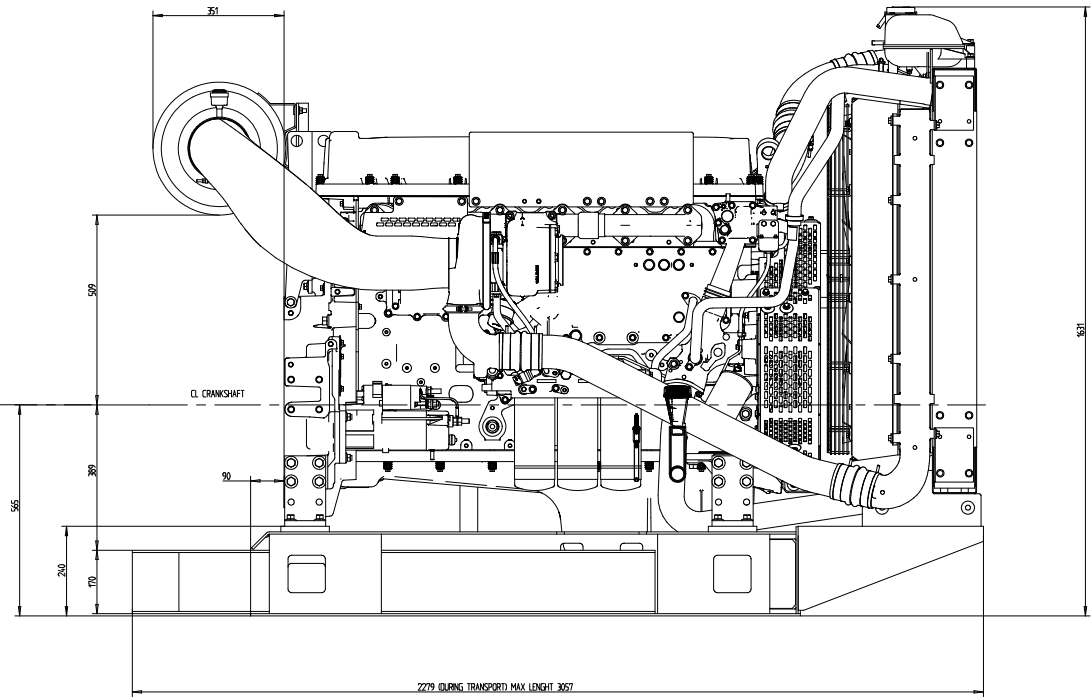
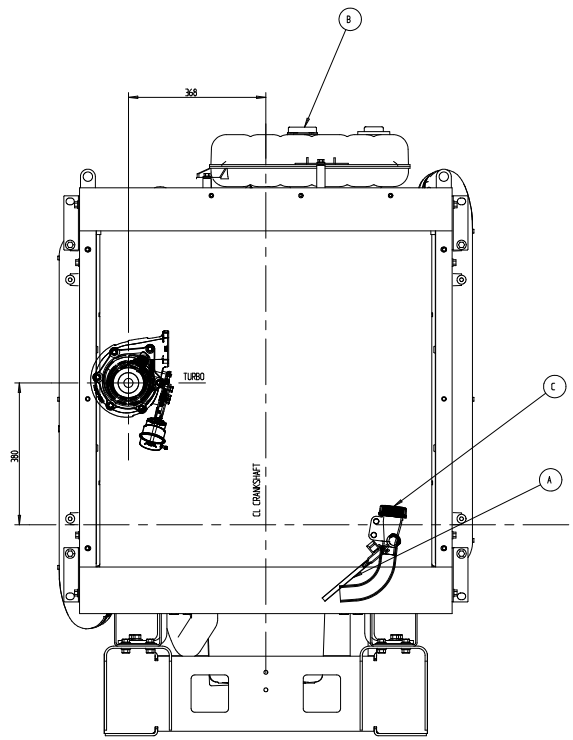


VIEW D



A = OIL DIP STICK
 B = WATER FILLER CAP
 C = OIL FILLER CAP

SCALE: 1:5



<p>VOLVO PENTA</p> <p>2100 3542</p>	<p>SYMBOLS, DIMENSIONS AND OTHERS SHOWN ON THIS DRAWING ARE TO BE USED AS SHOWN</p>	<p>ENGINE INSTALLATION TADTOSSE / GENPAC TADTOSSE / GENPAC</p>
	<p>INSTALLATION DRAWING</p>	<p>2100 3542</p>
	<p>02</p>	<p>11</p>
	<p>1</p>	<p>11</p>