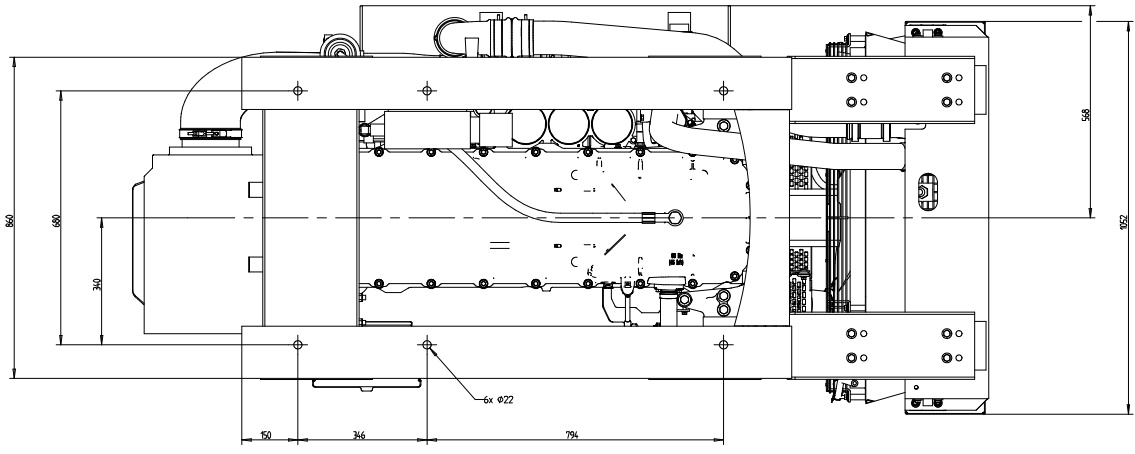
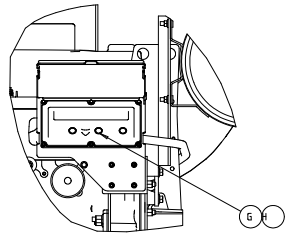


VIEW D

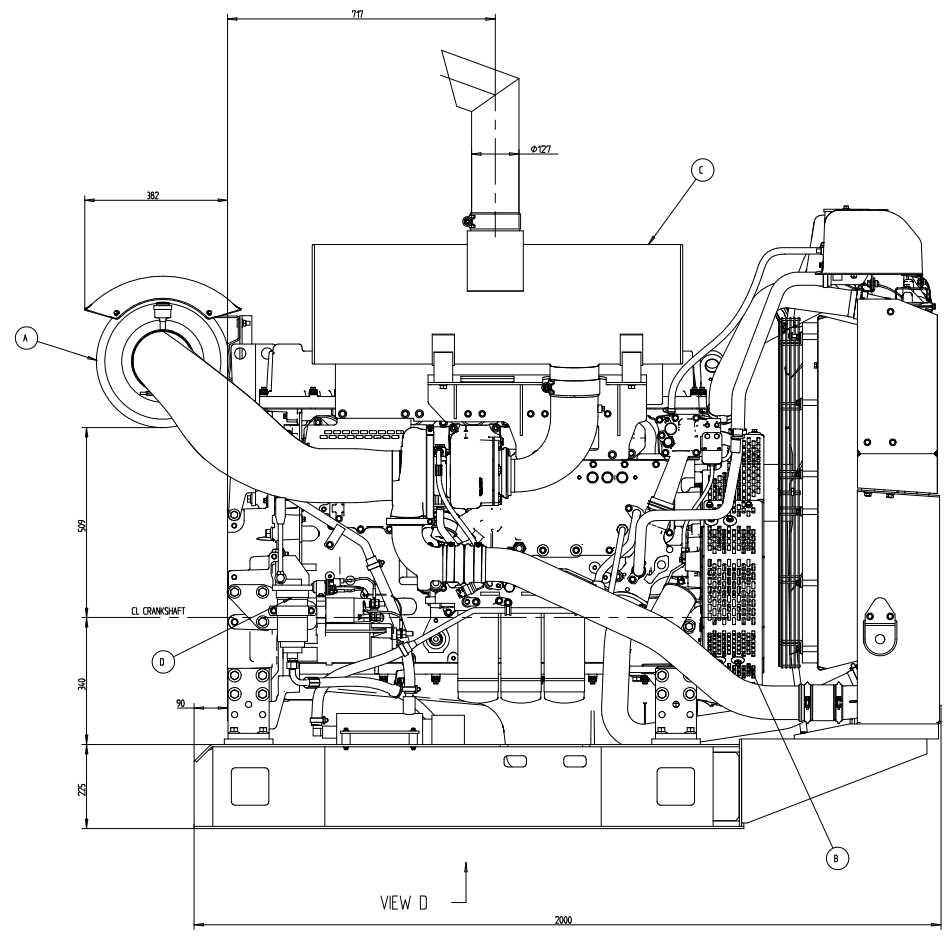
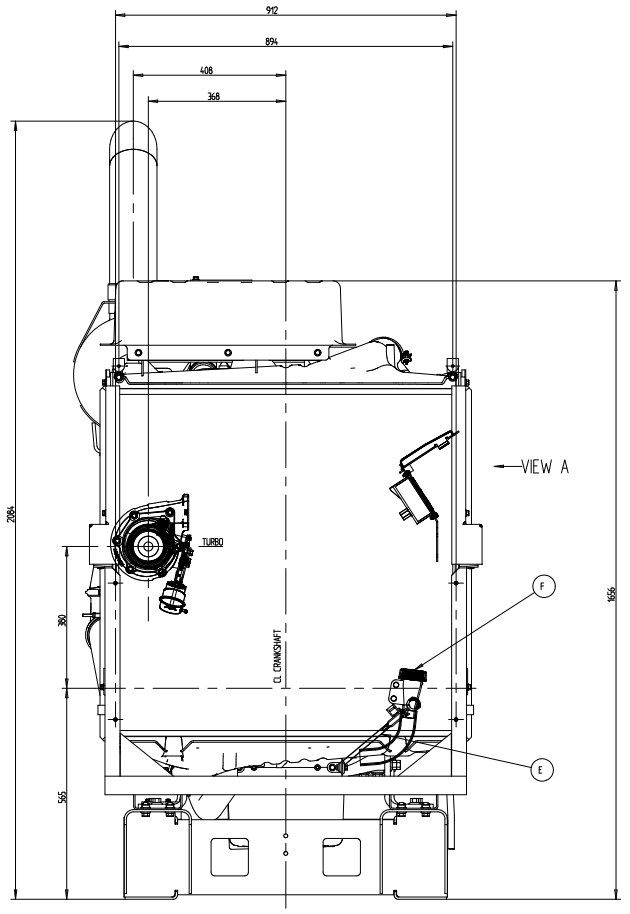


VIEW A



- A- AIR FILTER, REAR MOUNTED
- B- BELT GUARD
- C- SILENCER, ENGINE MOUNTED
- D- OIL DRAIN PUMP
- E- OIL DIP STICK
- F- OIL FILLER CAP
- G- INSTRUMENT PANEL
- H- SPEED CONTROL

SCALE: 1:5



<p>© 1997 Volvo Penta AB. All rights reserved. No part of this publication may be reproduced, stored in a retrieval system, or transmitted, in any form or by any means, electronic, mechanical, photocopying, recording, or by any information storage and retrieval system, without the prior written permission of Volvo Penta AB.</p>	<p>SYMBOLS, DIMENSIONS AND OTHER INFORMATION REFER TO: 01-0000</p>	
	<p>ENGINE INSTALLATION TADTRAC / POWER PAC</p>	
	<p>INSTALLATION DRAWING</p>	
	<p>212342718</p>	