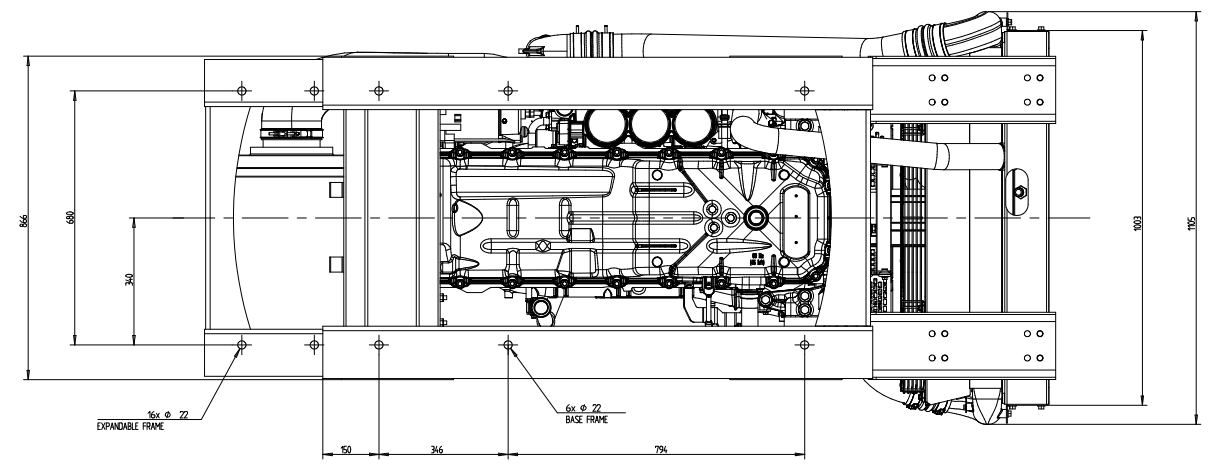
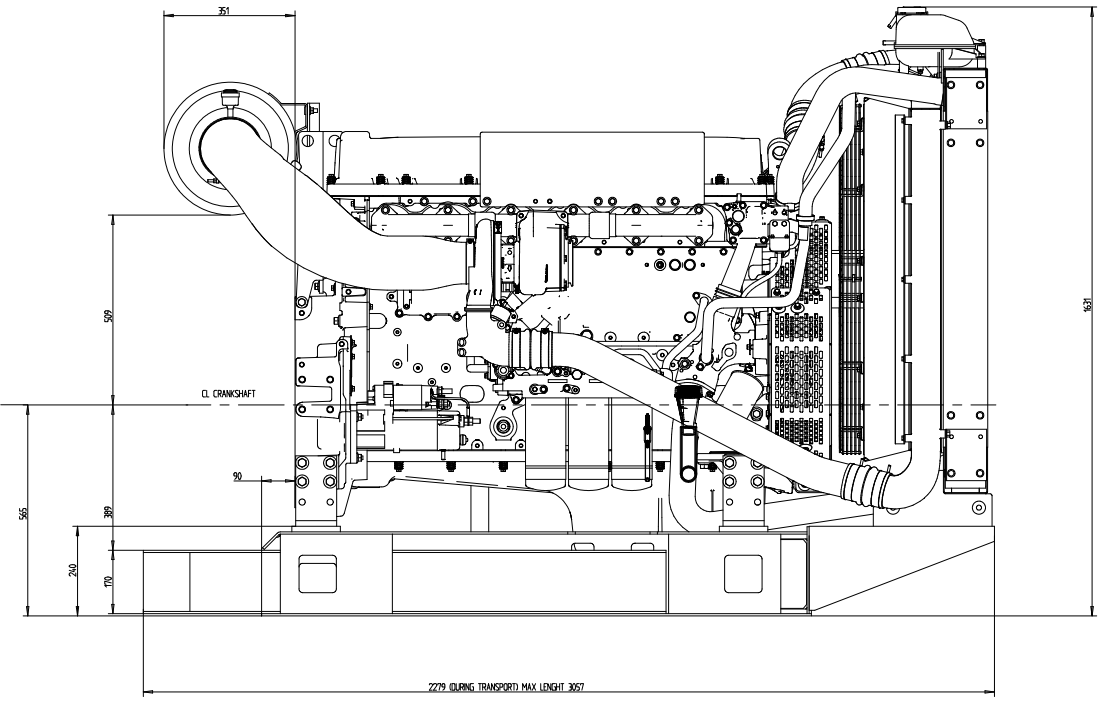
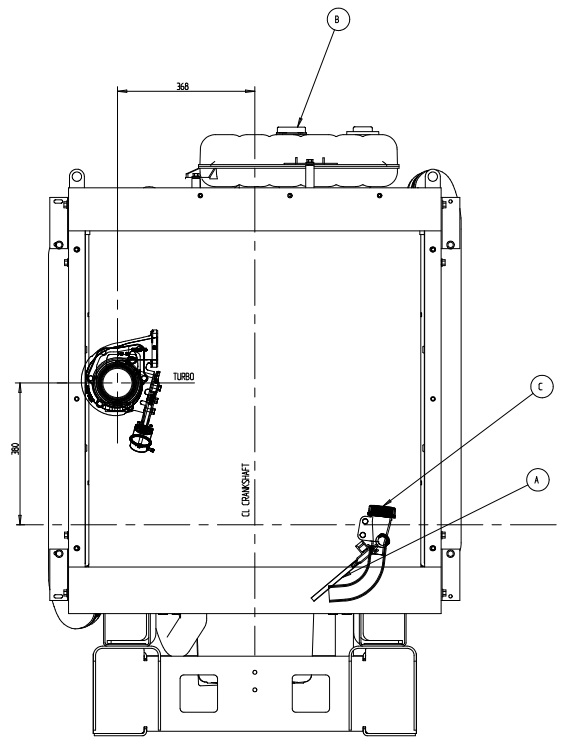


VIEW D



A = OIL DIP STICK  
 B = WATER FILLER CAP  
 C = OIL FILLER CAP

SCALE: 1:5



VIEW D

ENGINE	
TAD 1354-55GE / GENPAC	
TAD 1360-55GE / GENPAC	
TAD 1341-43EE / GENPAC	

<p><b>VOLVO PENTA</b></p> <p>3521884</p>	<p>ENGINE INSTALLATION                  013 110</p>	<p>3521884</p>	<p>03</p>	<p>11</p>
	<p>INSTALLATION DRAWING</p>			
	<p>ENGINE</p>			
	<p>DATE</p>			