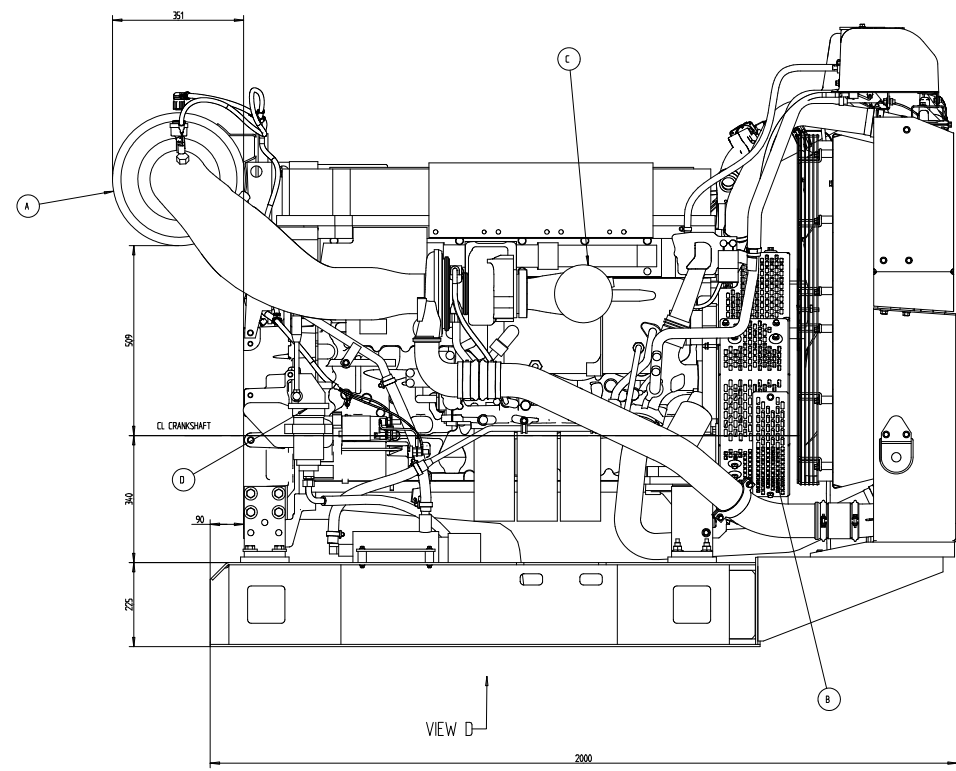
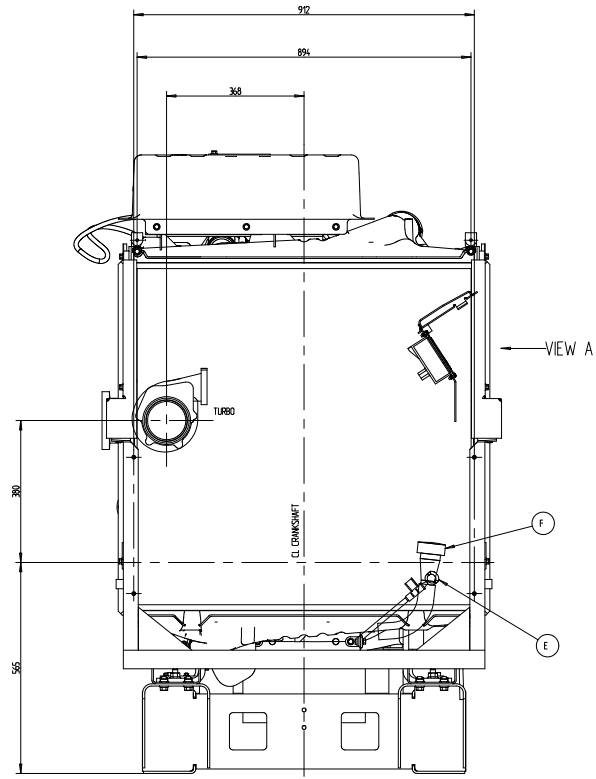


- A- AIR FILTER, REAR MOUNTED
- B- BELT GUARD
- C- EXHAUST PIPE
- D- OIL DRAIN PUMP
- E- OIL DIP STICK
- F- OIL FILLER CAP
- G- INSTRUMENT PANEL
- H- SPEED CONTROL

SCALE: 1:5



VOLVO PENTA 21549261		SHEET 1 OF 1 ENGINE INSTALLATION TAD1360-65VE / POWER PAC INSTALLATION DRAWING 01	11
--------------------------------	--	---	----