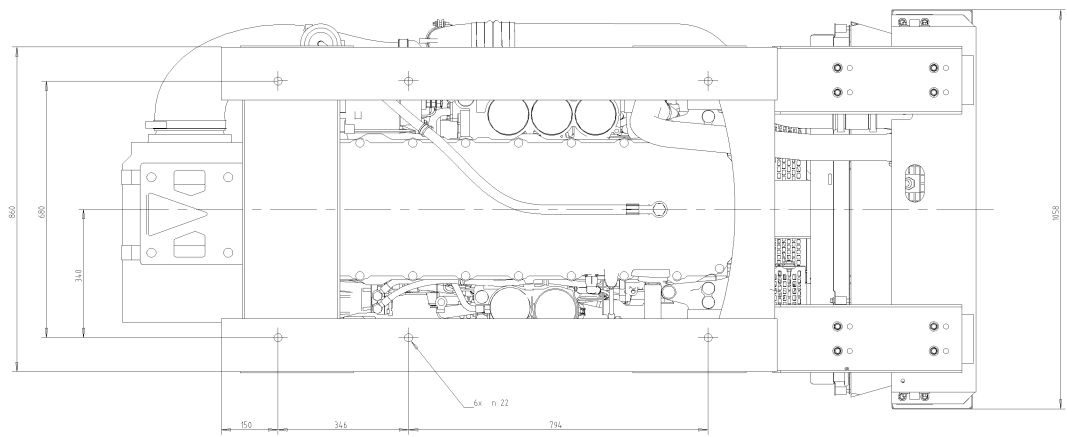


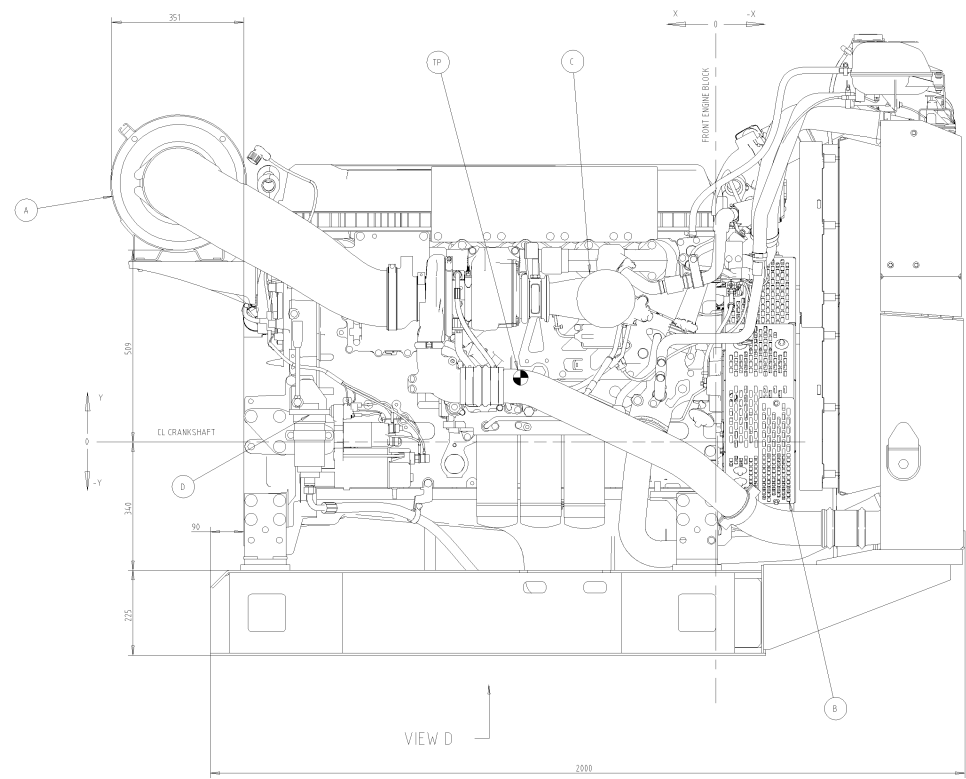
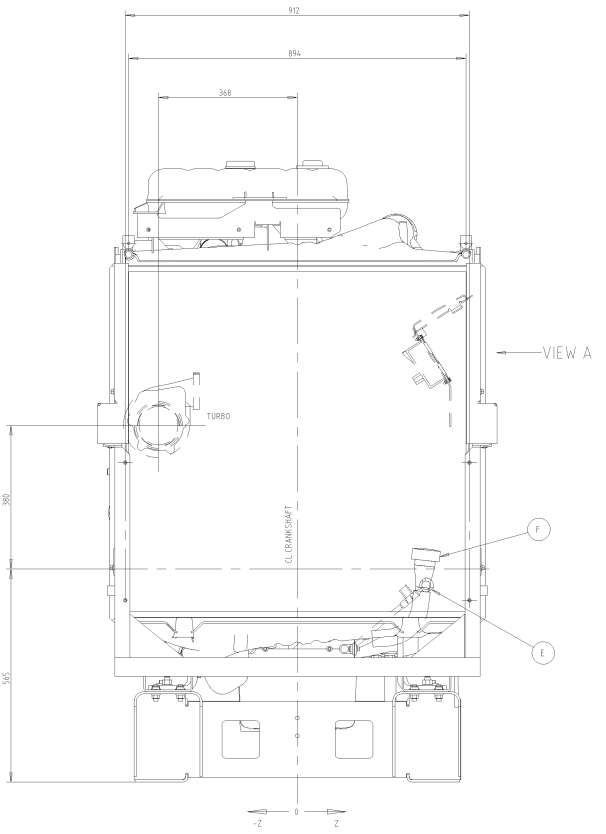
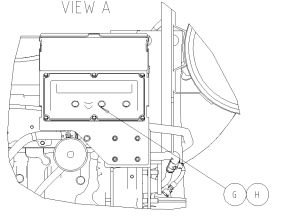
VIEW D



- A: AIR FILTER, REAR MOUNTED
- B: BELT GUARD
- C: EXHAUST PIPE
- D: OIL DRAIN PUMP
- E: OIL DIP STICK
- F: OIL FILLER CAP
- G: INSTRUMENT PANEL
- H: SPEED CONTROL
- TP: CENTER OF GRAVITY X=515 Y=170 Z=8.5

SCALE: 1:5

VIEW A



VIEW D

<p>THE DRAWING IS THE PROPERTY OF VOLVO PENTA. IT IS TO BE USED ONLY FOR THE PURPOSES SPECIFIED IN THE ORDER. IT IS NOT TO BE REPRODUCED OR TRANSMITTED IN ANY FORM OR BY ANY MEANS, ELECTRONIC OR MECHANICAL, INCLUDING PHOTOCOPYING, RECORDING, OR BY ANY INFORMATION STORAGE AND RETRIEVAL SYSTEM. VOLVO PENTA ACCEPTS NO LIABILITY FOR ANY DAMAGE OR LOSS OF PROFITS, BUSINESS, OR REVENUE, OR FOR ANY SPECIAL, INCIDENTAL, OR CONSEQUENTIAL DAMAGES, WHETHER IN A CONTRACT OR OTHERWISE, ARISING OUT OF OR FROM THIS DRAWING.</p>		<p>21985307</p>
<p>INSTALLATION DRAWING</p>		<p>03</p>
<p>VOLVO PENTA</p>		<p>1101</p>