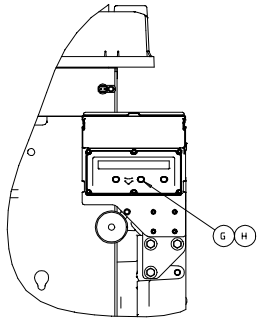
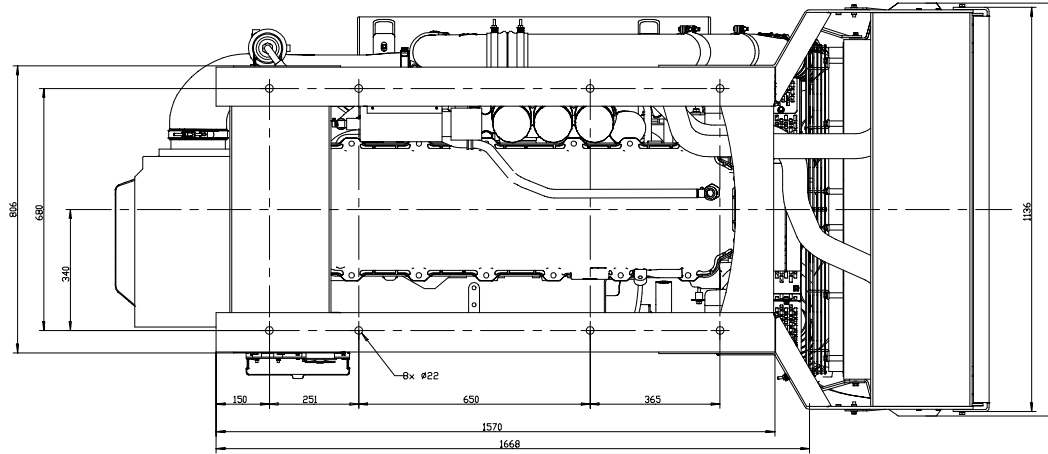


View A



VIEW D

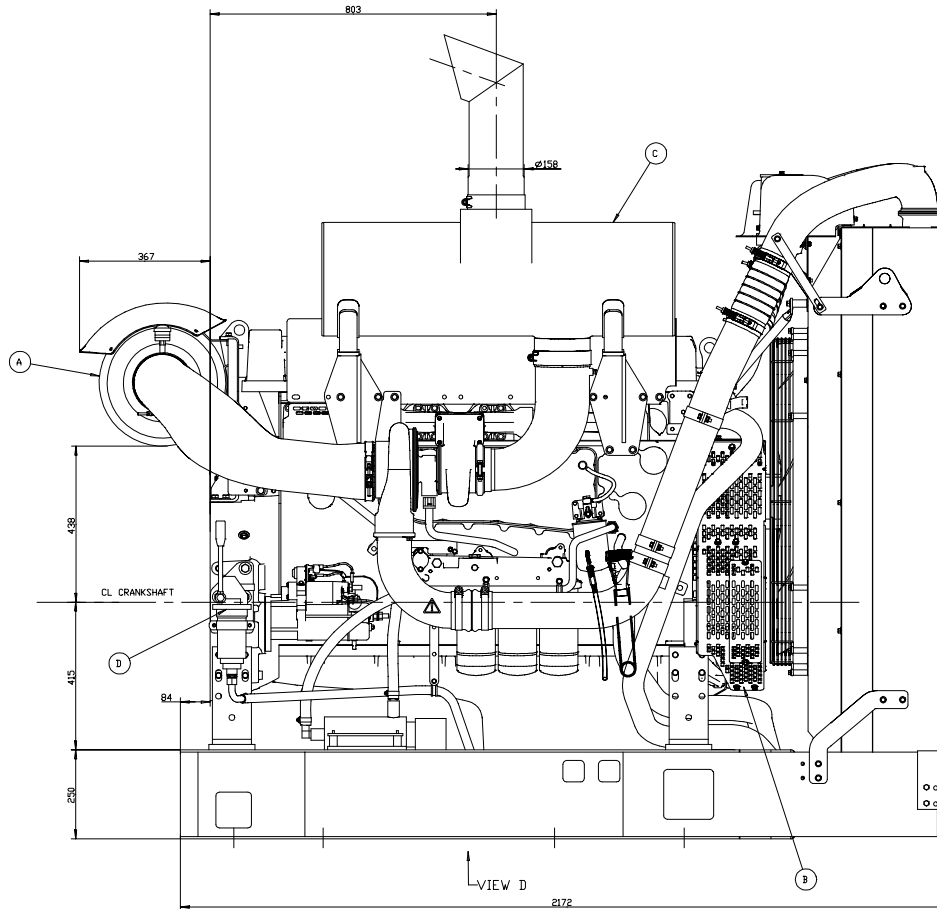
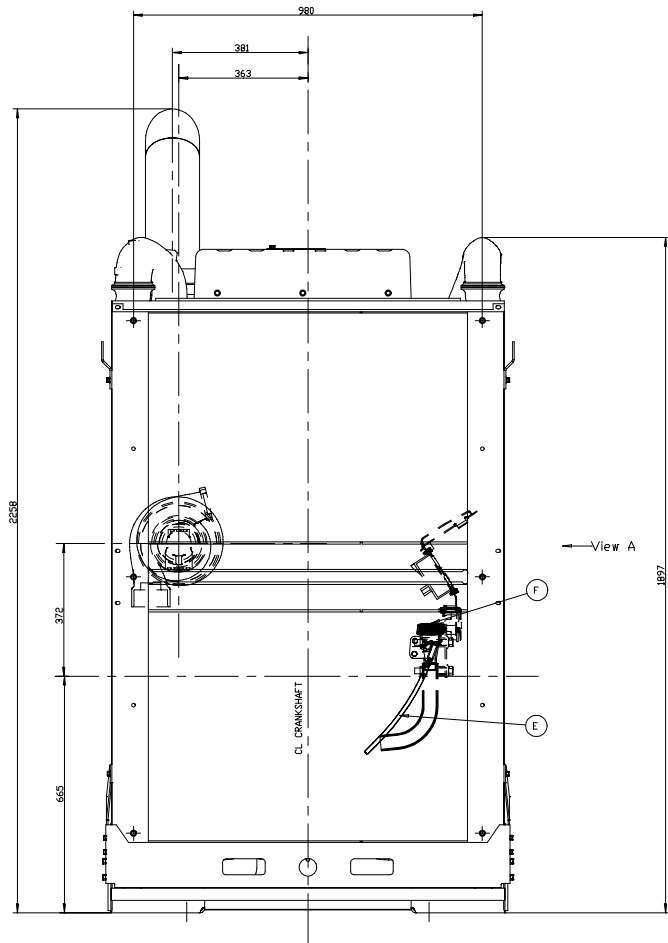


4	3	2	1
DATE	REV	BY	APP
A 4318-00	REV. EDN	B. P. J. / RHT	12-10-88
			RELEASED

- A = AIR FILTER, REAR MOUNTED
- B = BELT GUARD
- C = SILENCER, ENGINE MOUNTED
- D = OIL DRAIN PUMP
- E = OIL DIP STICK
- F = OIL FILLER CAP
- G = INSTRUMENT PANEL
- H = SPEED CONTROL

DRY WEIGHT CA. 1840 KG
WET WEIGHT CA. 1940 KG

SCALE: 1/5



FEDERAL DESIGNATION AND SYMBOL: ENGINE DIMENSION TAD 1640-1643 VE		
DIMENSION DRAWING 3591341		
VOLVO PENTA	102	1/10