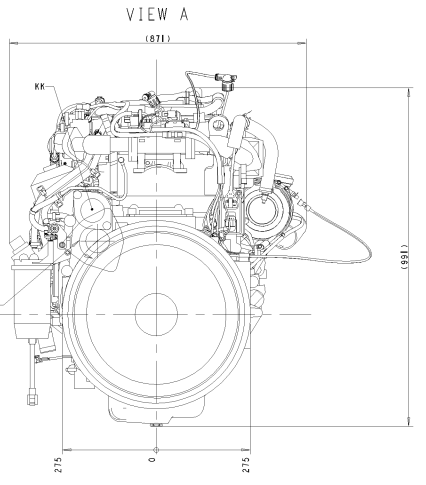
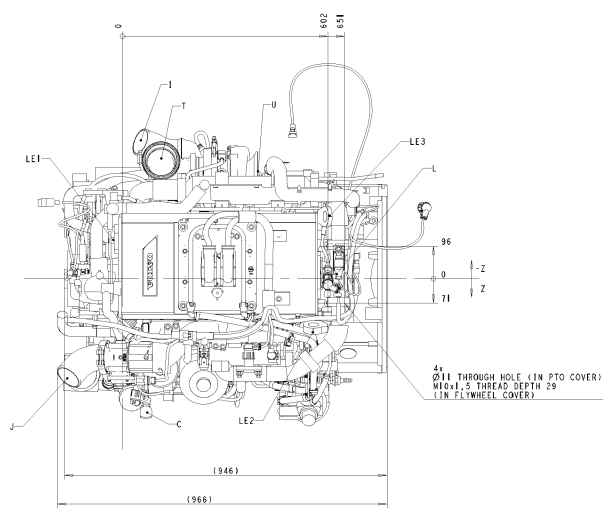
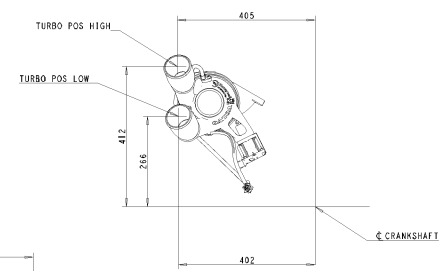


VIEW TO SHOW TWO TURBO VARIANTS



| INFORMATION AND COORDINATES |      |      |   |
|-----------------------------|------|------|---|
| POS                         | X    | Z    | NOTES   |
| A                           | 26   | 67   | 354   |
| B                           | 90   | -327 | 0 M24x1.5                                       |
| C                           | 69   | 34   | 390   |
| D                           | 237  | 436  | 313   |
| E                           | 468  | 112  | 388 Ø9.5  |
| F                           | 672  | 252  | 298 Ø9.5  |
| G                           | 545  | 220  | 415   |
| H                           | 110  | 345  | 264   |
| I                           | 52   | 266  | -402 Ø80  |
| J                           | -159 | 511  | 289 Ø80   |
| K                           | 33   | 521  | 120   |
| L                           | 624  | 365  | -110  |
| M                           | 370  | 573  | 274   |
| N                           | -71  | 497  | -60 Ø50   |
| O                           | -45  | -217 | 210 Ø60   |
| P                           | -108 | -182 | 247 Ø78   |
| Q                           | 58   | 136  | 150 QUICK CONNECTOR Ø16                         |
| R                           | 258  | 265  | 117 Ø20   |
| S                           | -177 | 493  | 105 Ø10 (Ø9.5 HOSE TO BE CONNECTED TO EXP TANK) |
| T                           | 113  | 414  | -348 Ø92  |
| U                           | 397  | 305  | -310 Ø93 (Ø124 V-CLAMP)                         |
| V                           | -39  | 65   | 240   |
| W                           | 764  | 139  | -304 OPT. QUICK CONNECTOR SAE D10               |
| AA                          | 15   | -182 | 262 OPT. QUICK CONNECTOR SAE D10                |
| BB                          | 346  | -109 | 272   |
| CC                          | 394  | -104 | 266   |
| DD                          | 399  | -38  | 267   |
| EE                          | -248 | 701  | -213 FOR VOLVO PENTA EXP TANK                   |
| FF                          | 879  | 659  | -208  |
| GG                          | 201  | -181 | 142   |
| HH                          | 244  | 65   | -158  |
| II                          | -148 | 433  | -17   |
| JJ                          | 441  | 326  | -314  |
| KK                          | 632  | 305  | 187   |
| LL                          | -39  | 419  | 184 M22x1.5                                     |
| MM                          | -100 | -37  | 240 M22x1.5                                     |
| LE1                         | -25  | 640  | -110  |
| LE2                         | 559  | 554  | 153   |
| LE3                         | 694  | 554  | -102  |
| COG                         | 276  | 214  | -2  |

SCALE 1:5  
 FOR TOLERANCES ON MEASURES PLEASE CONTACT VOLVO PENTA  
 ENGINE WITH SAE1 FLYWHEEL HOUSING, WITH SAE3 ADAPTER

THE ABOVE DIMENSIONS ARE GIVEN TO THE CENTER OF GRAVITY UNLESS OTHERWISE SPECIFIED.  
 DIMENSION DRAWING  
 MDE 5 VE  
 T44  
 DIMENSION DRAWING  
 22356794  
 03