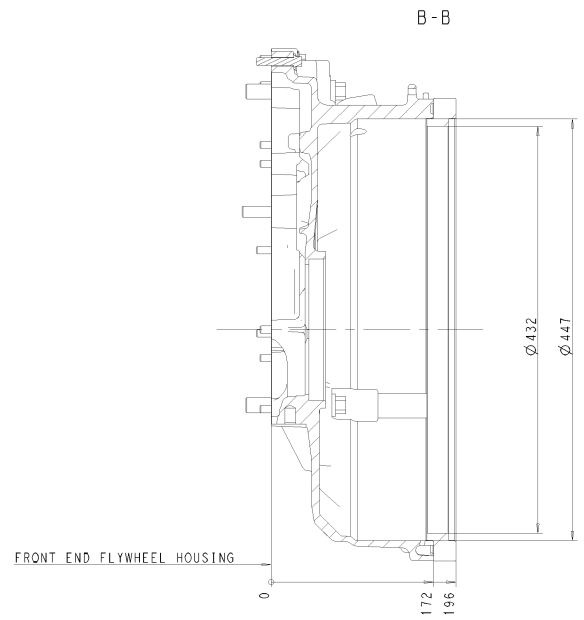
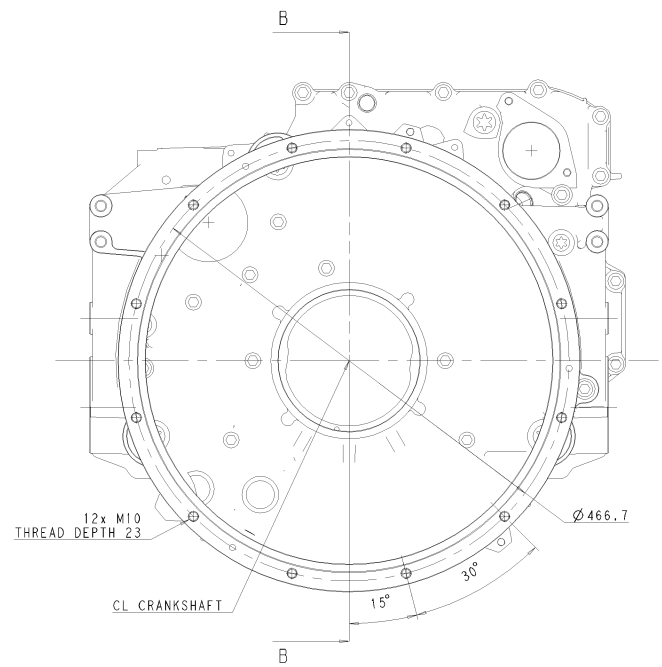
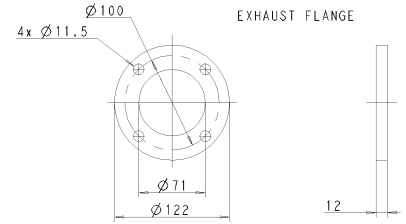
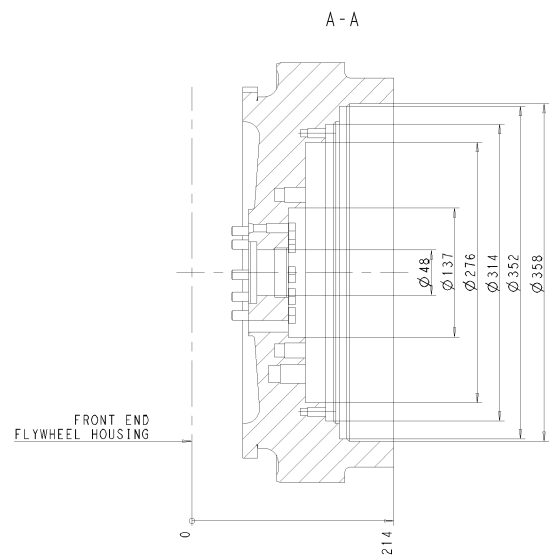
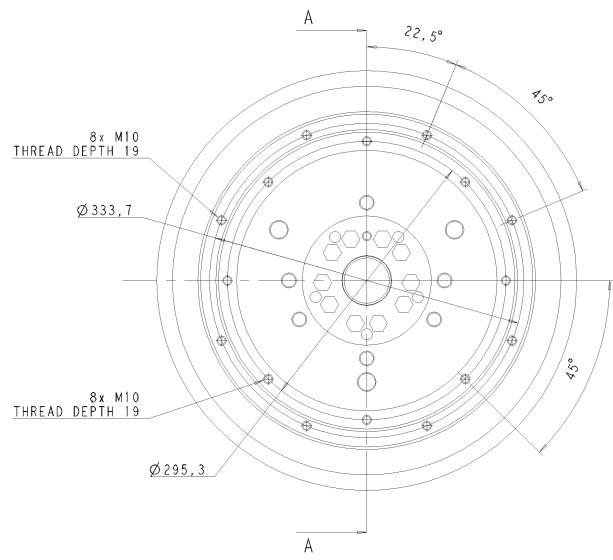


SCALE: 1:5
 FOR TOLERANCES ON MEASURES PLEASE CONTACT VOLVO PENTA
 SEPARATE VIEWS FOR FLYWHEEL, FLYWHEEL
 HOUSING AND EXHAUST FLANGE ON SHEET 2(2)

POS	DESCRIPTION	X	Y	Z	NOTE
A	OIL FILLER CAP	269	582	-26	
B	OIL DRAIN PLUG	734	-351	0	M18
C	OIL DIPSTICK	436	440	283	
D	OIL FILTER	679	412	250	
E	FUEL INLET	-224	207	400	Ø12
F	FUEL RETURN	-251	225	256	Ø10
G	FUEL PREFILTER WITH HANDPUMP	-136	-87	360	
H	FUEL FILTER	547	490	258	
J	COOLANT FILLING	1125	955	-163	
J	COOLANT DRAIN	1366	-227	45	
K	CRANK CASE VENTILATION	1412	-331	232	18x2
L	VODIA, 6-POLE CONNECTOR	606	245	757	
M	CAN, 8-POLE CONNECTOR	902	255	534	
N	AUX STOP BUTTON	639	311	413	
O	ENGINE HEATER (OPTION)	385	260	191	
P	STARTER MOTOR CONNECTION +	242	237	-132	M10
Q	STARTER MOTOR CONNECTION -	27	-27	-235	M8
R	EXHAUST OUTLET	542	219	-284	Ø59
S	FOR INSTALLATION ON FRAME	791	-355	+/-320	2xØ17,5
T	TO ENGINE HEATER (EXTERNAL) (GUIDELINE)	373	250,5	286	M26x1,5
U	FROM ENGINE HEATER (EXTERNAL) (GUIDELINE)	863	524	190	M26x1,5
V	CENTRE OF GRAVITY	467	130	21	
AA	PRESSURE CAP	1125	945	-353	
AB	OIL PRESSURE (ALT.)	300	180	148	M14x1,5



SCALE: 1:2