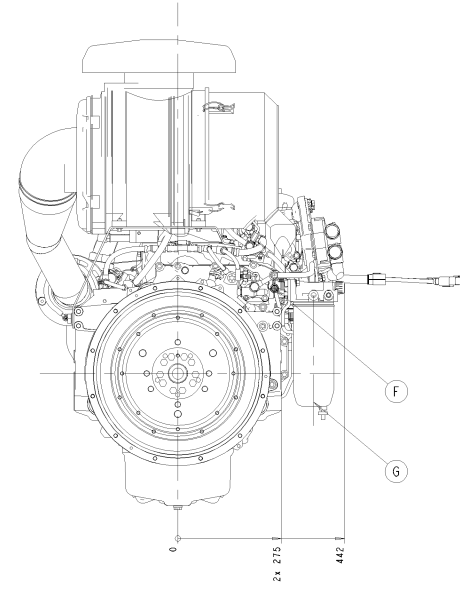
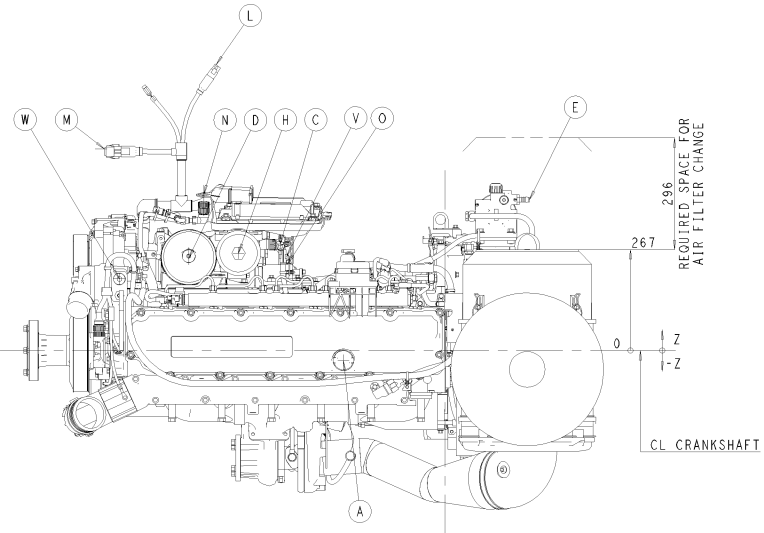
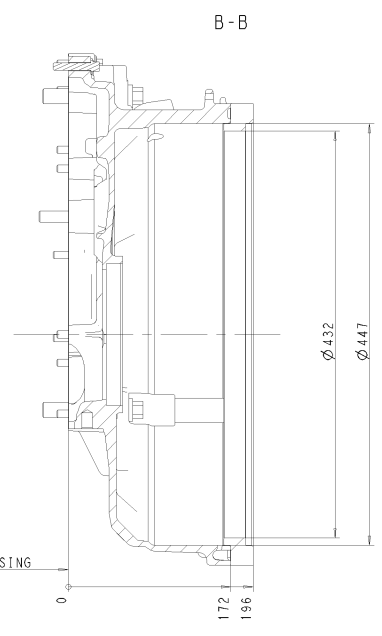
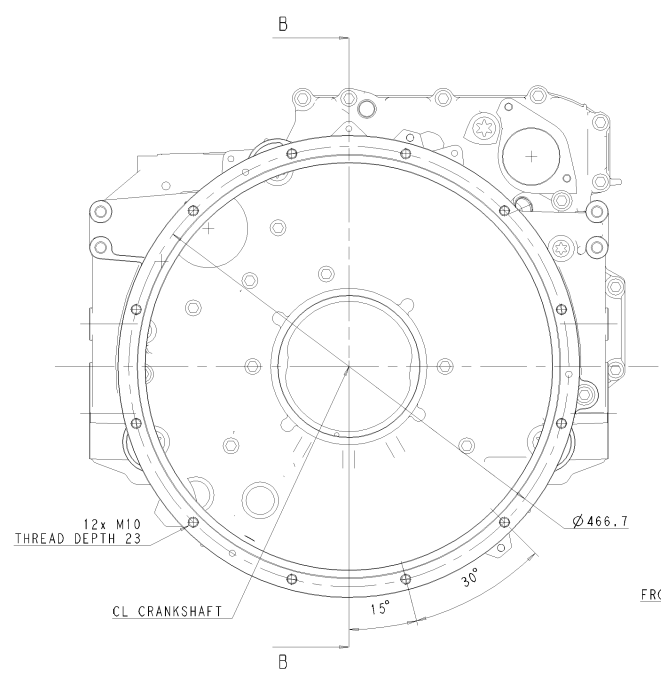
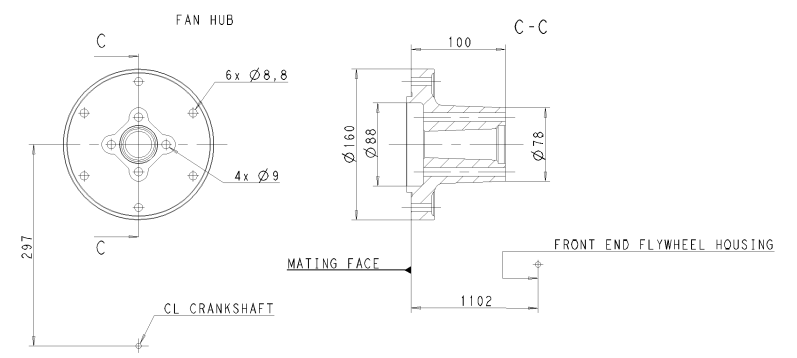
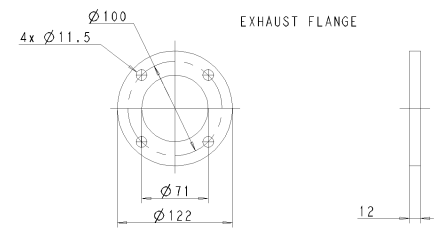
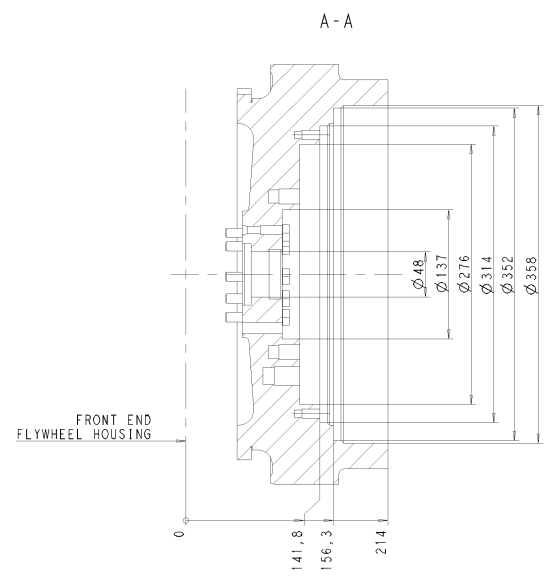
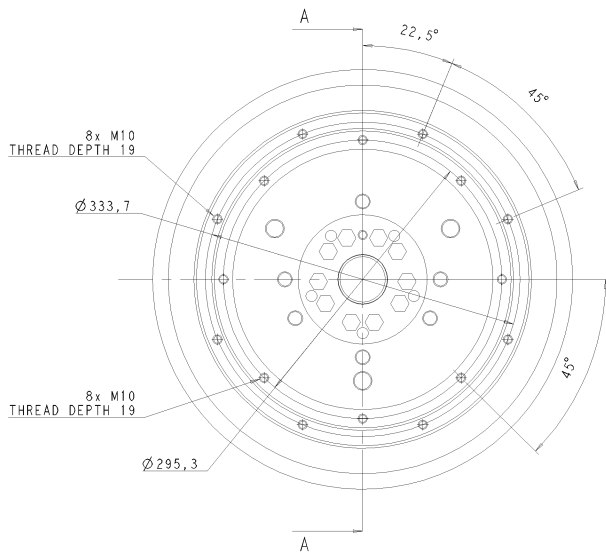


SCALE 1:5
 DRY WEIGHT APP. 700 KG
 FOR TOLERANCES ON MEASURES PLEASE CONTACT VOLVO PENTA
 SEPARATE VIEWS FOR FLYWHEEL, FLYWHEEL HOUSING, FAN HUB AND EXHAUST FLANGE ON SHEET 2(2)



POS	DESCRIPTION	X	Y	Z	NOTE
A	OIL FILLER CAP	269	582	-26	
B	OIL DRAIN PLUG	734	-351	0	M18
C	OIL DIPSTICK	436	440	283	
D	OIL FILTER	679	412	250	
E	FUEL INLET	-224	207	400	∅12
F	FUEL RETURN	-251	225	256	∅10
G	FUEL PREFILTER WITH HAND PUMP	-136	-87	360	
H	FUEL FILTER	547	490	258	
I	TO CHARGE AIR COOLER	343	84	-231	∅61, V-CLAMP
J	FROM CHARGE AIR COOLER	940	667	-167	∅90, HOSE-CLAMP
K	CRANK CASE VENTILATION	480	-176	175	18x2
L	VODIA, 6-POLE CONNECTOR	606	245	757	
M	CAN, 8-POLE CONNECTOR	902	255	534	
N	AUX STOP BUTTON	639	311	413	
O	ENGINE HEATER (OPTION)	385	260	191	
P	START MOTOR CONNECTION, +	212	237	-132	M10
Q	START MOTOR CONNECTION, -	27	-27	-235	M8
R	EXHAUST OUTLET	542	219	-284	∅69
S	WATER IN	907	60	288	∅60
T	WATER OUT	975	519	104	∅60
U	FAN HUB	1102	297	0	
V	TO ENGINE HEATER (EXTERNAL) (GUIDELINE)	373	250,5	286	M26x1,5
W	FROM ENGINE HEATER (EXTERNAL) (GUIDELINE)	863	524	190	M26x1,5
AA	CENTRE OF GRAVITY	420	145	-5	
AB	OIL PRESSURE (ALT:)	300	180	148	M14x1.5



SCALE 1:2