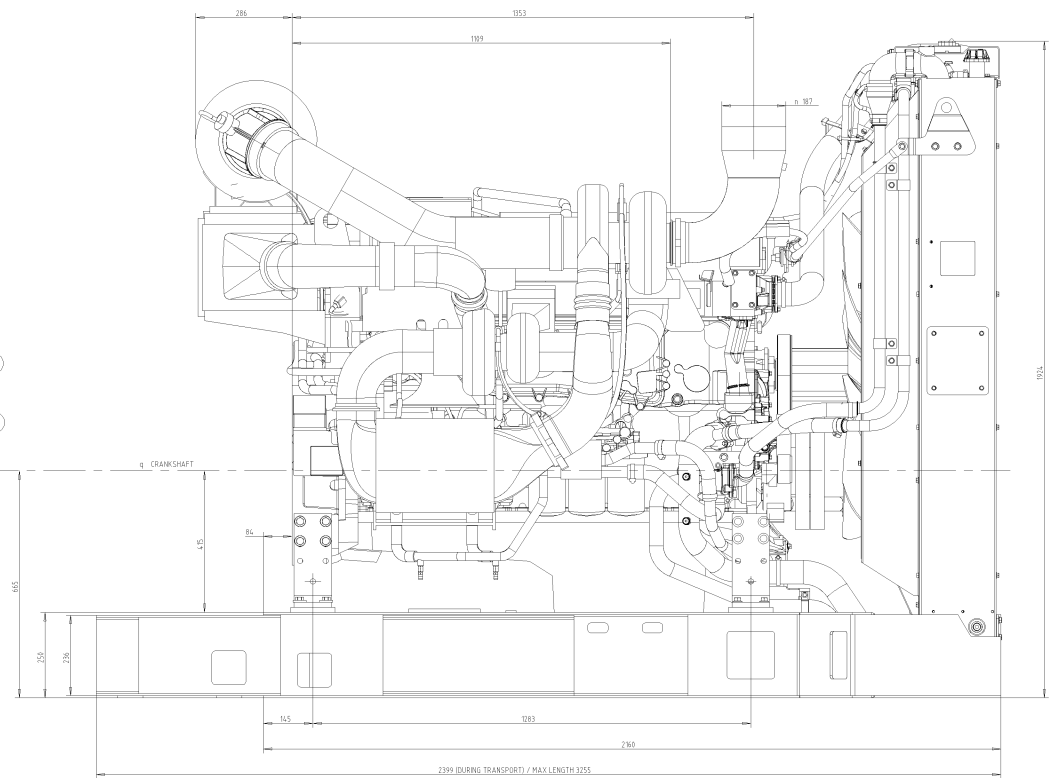
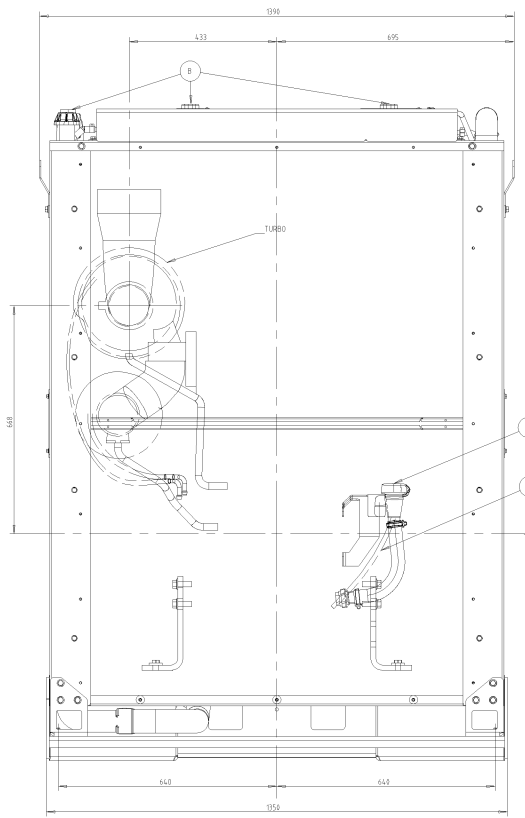
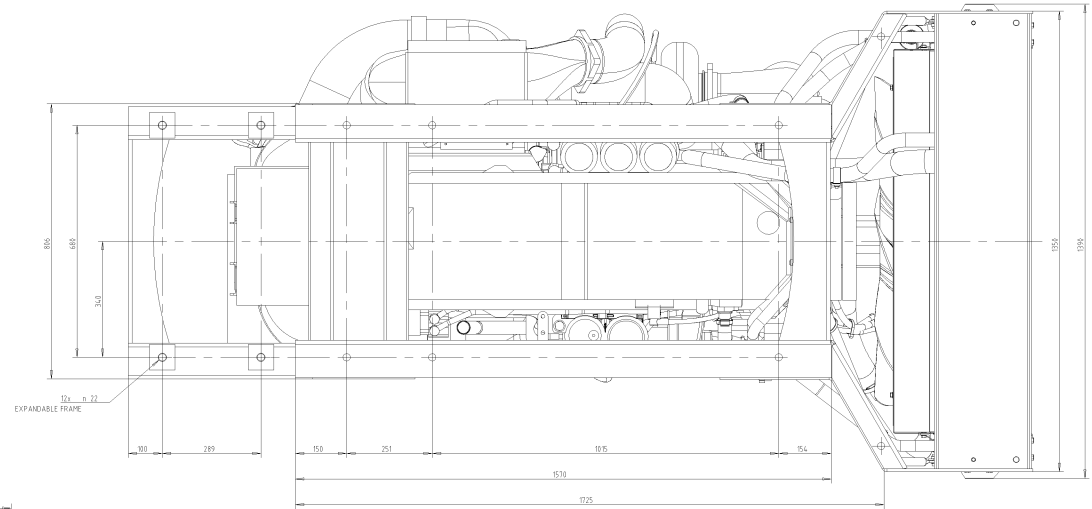


Project/Order No.	22337651	Rev.	03	Date	11/11
Author	SEDM	Checked		Released	1/17/11



A = OIL DIPSTICK
 B = MASTER FILLER CAP
 C = OIL FILLER CAP

DRY WEIGHT CA 2195 KG
 WET WEIGHT CA 2351 KG

SCALE 1:5

To obtain the technical drawing of this product or for any information, please contact: Volvo Penta Technical Support Department Volvo Penta, Via S. Pietro 11, 20142 Milano, Italy Tel. +39 02 7600 2000 Fax +39 02 7600 2001 Email: volvo.penta@volvo.com	DIVISION: DIESEL ENGINES AND GENERATORS PRODUCT LINE: ENGINE TWIN4-CRCE	
	DRAWING TYPE: DIMENSIONAL DRAWING	
	DRAWING NO.: 22337651	