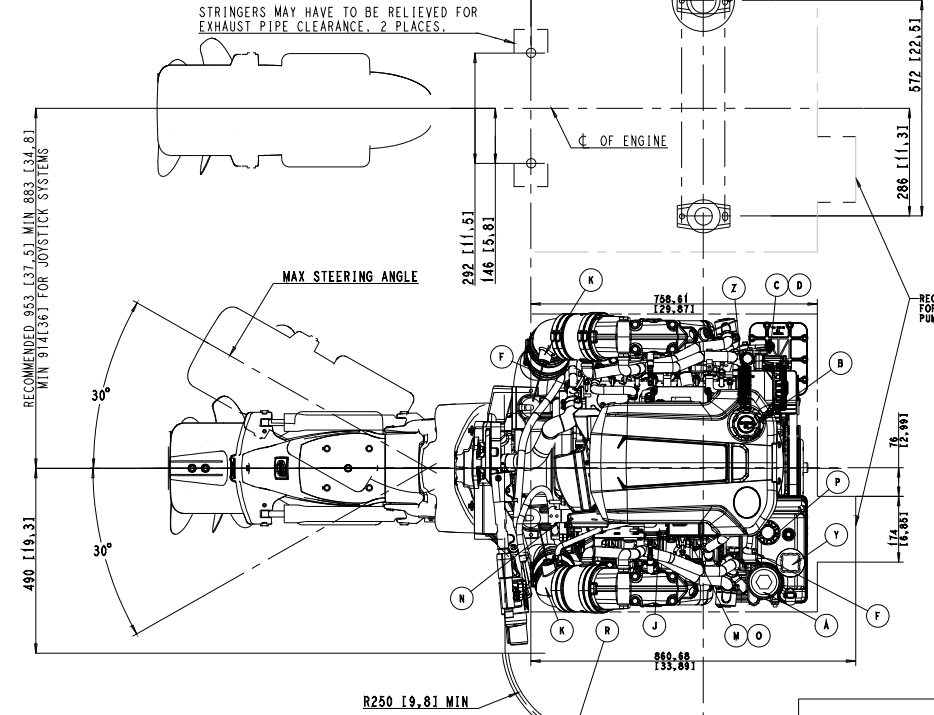
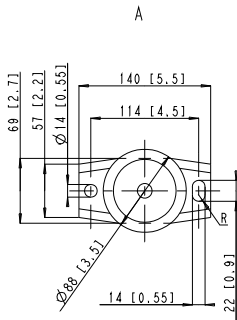


ALTERNATIVE METHOD FOR ENGINE MOUNT:
 PRE-DRILL STRINGERS USING Ø9 [Ø11/32] FOR
 PILOT TO DEPTH EQUIVALENT TO PENETRATION
 OF SCREW AND Ø13 [Ø17/2] C-BORE IF NECESSARY.
 ONLY TO DEPTH REQUIRED TO CLEAR SCREW SHANK.

STRINGERS MAY HAVE TO BE RELIEVED FOR
 EXHAUST PIPE CLEARANCE, 2 PLACES.

LETTER	NAME
A	OIL FILTER, ENGINE
B	OIL FILL, ENGINE
C	OIL DRAIN, ENGINE
D	OIL DIPSTICK, ENGINE
E	RAW WATER DRAIN
F	LIFTING DEVICE
G	FUEL CONNECTION, I. D. 9.5 [3/8] NPT OR 6.35 [1/4] NPT
H	FUEL FILTER
I	ELECTRICAL FUEL PUMP
J	THROTTLE CABLE SINGLE
K	WATER COOLED EXHAUST PIPE FOR HOSE I. D. 98.4 [3 7/8"]
L	STARTER MOTOR
M	FUSE PANEL
N	ELECTRICAL CONNECTION ENGINE - INSTRUMENT PANEL
O	CIRCUIT BREAKER FOR TRIM PUMP
P	OIL FILL, POWER STEERING
R	STEERING CABLE
S	WATER INTAKE
T	OIL FILL, OUTBOARD UNIT
U	OIL DRAIN, OUTBOARD UNIT
V	OIL DIPSTICK, OUTBOARD UNIT
X	SEE INSTALLATION INSTRUCTIONS
Y	COOLANT FILL AND LEVEL CHECK
Z	ENGINE FLUSH
AC	ANODE, EXHAUST MANIFOLDS (BOTH SIDES)



RECOMMENDED CLEARANCE
 FOR RAW-WATER
 PUMP MAINTENANCE

This drawing, specification and all other data hereon are the property of Volvo Penta AB. They are to be used only for the purpose intended and are not to be reproduced, stored in a retrieval system, or transmitted in any form or by any means, electronic, mechanical, photocopying, recording, or otherwise, without the prior written permission of Volvo Penta AB.	DATE: 1998-08-10 DRAWING NO.: 4-31 GEN V6 NON-CAT REVISION: 1
	VOLVO PENTA INSTALLATION DRAWING 22629104