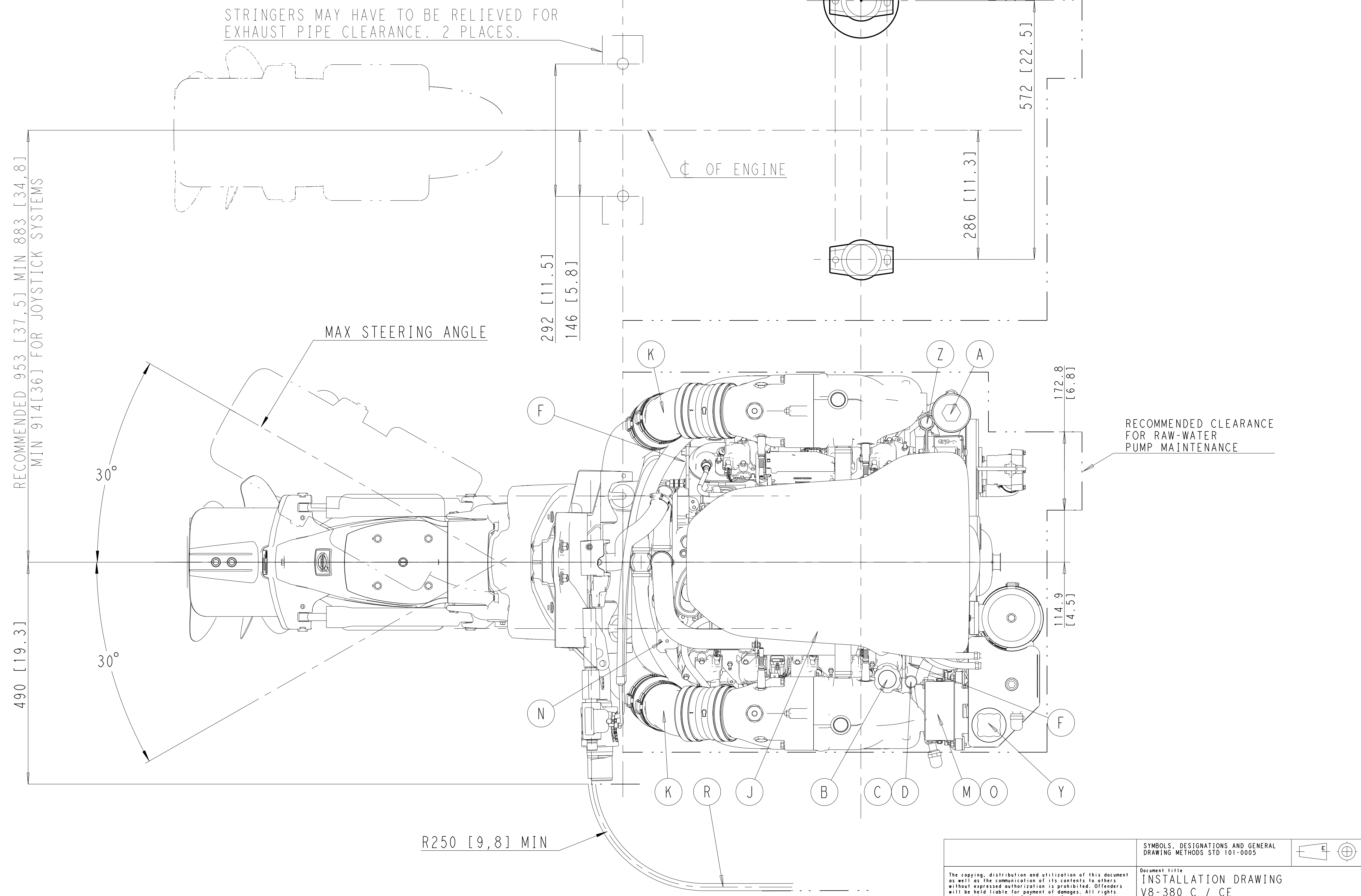
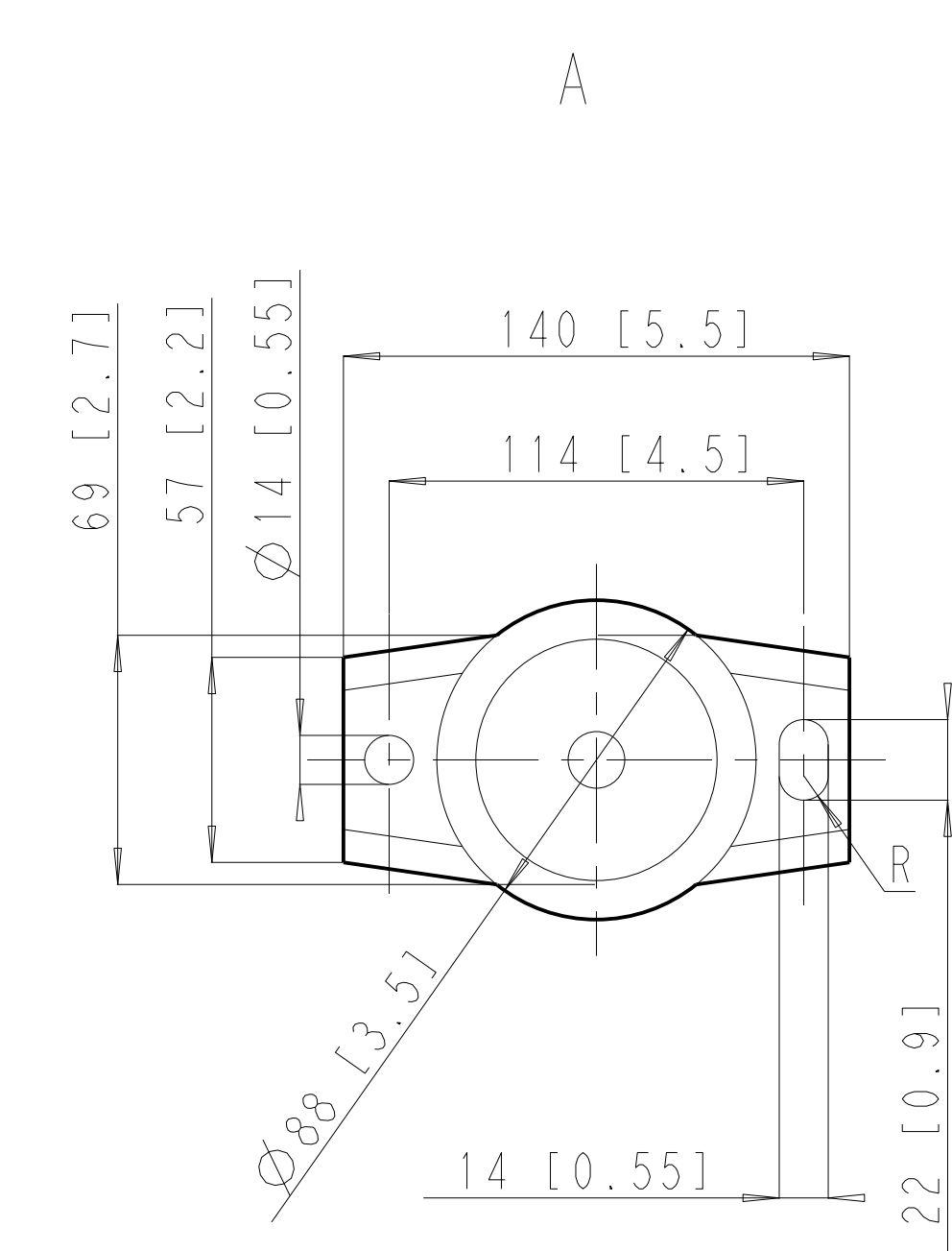


LETTER	NAME
A	OIL FILTER, ENGINE
B	OIL FILL, ENGINE
C	OIL DRAIN, ENGINE
D	OIL DIPSTICK, ENGINE
E	WATER DRAIN
F	LIFTING DEVICE
G	FUEL CONNECTION, I.D. 9,5 [3/8] NPT OR 6,35 [1/4] NPT
H	FUEL FILTER
I	ELECTRICAL FUEL PUMP
J	THROTTLE CABLE SINGLE
K	WATER COOLED EXHAUST PIPE FOR HOSE I.D. 98,4 [3 7/8"]
L	STARTER MOTOR
M	FUSE PANEL
N	ELECTRICAL CONNECTION ENGINE - INSTRUMENT PANEL
O	CIRCUIT BREAKER FOR TRIM PUMP
P	OIL FILL, POWER STEERING
R	STEERING CABLE
S	WATER INTAKE
T	OIL FILL, OUTBOARD UNIT
U	OIL DRAIN, OUTBOARD UNIT
V	OIL DIPSTICK, OUTBOARD UNIT
X	SEE INSTALLATION INSTRUCTIONS
Y	COOLANT FILL AND LEVEL CHECK
Z	ENGINE FLUSH
AC	ANODE, EXHAUST RISERS (BOTH SIDES)



ALTERNATIVE METHOD FOR ENGINE MOUNT:  
 PRE-DRILL STRINGERS USING Ø9 [Ø11/32] FOR  
 PILOT TO DEPTH EQUIVALENT TO PENETRATION  
 OF SCREW AND Ø13 [Ø1/2] C'BORE IF NECESSARY.  
 ONLY TO DEPTH REQUIRED TO CLEAR SCREW SHANK.

SYMBOLS, DESIGNATIONS AND GENERAL DRAWING METHODS STD 101-0005		
The copying, distribution and utilization of this document as well as the completion of its contents is allowed only for the specific purpose for which it was prepared. In all other cases, permission must be obtained from the copyright holder.		
<b>VOLVO PENTA</b>		Document title <b>INSTALLATION DRAWING</b> V8-380 C / CE
Document No <b>21803207</b>		Issue index <b>01</b>
Sheet No <b>1(1)</b>		Scale <b>1:1</b>